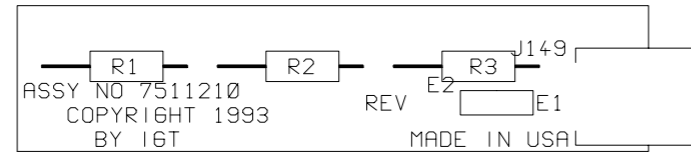
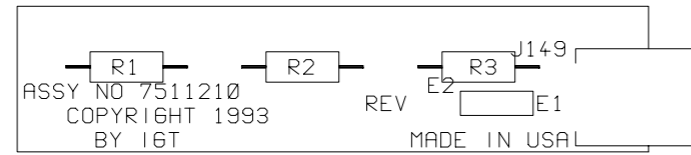


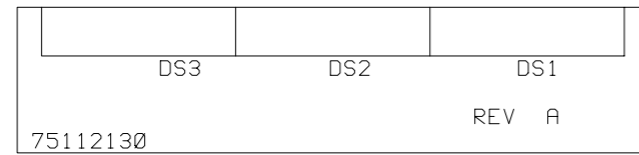
Component	Description	Part Number
REF SCHEMATIC	BOARD, PC, BILL GUIDE LIGHT, 13 VOLT DC, REV A	751 121 10
REF RAW	BOARD, PC, BILL GUIDE LIGHT, 13 VOLT DC, REV B	751 121 30
REF DRAWING	BOARD, PC, BILL GUIDE LIGHT, 13 VOLT DC, REV A	751 121 50
REF SUB ASSEMBLY/LIST	BOARD, PC, BILL GUIDE LIGHT, 13 VOLT DC, REV B	751 121 41
DS1,2,3	LED, GRN, 4 IN A DIFFUSED BLOCK	371 043 90
J149	CONNECTOR, HDR, 3-PIN, RTA, SHRD SL	211 037 90
JUMPER E2	WIRE, BUSS, BAR 22, SIM-BELD, 80210	612 004 90
R1,2,3	RESISTOR, CF, 1K OHM, .50W, T/R	471 005 91



COMPONENT SIDE
VERSION 01



COMPONENT SIDE
VERSION 00

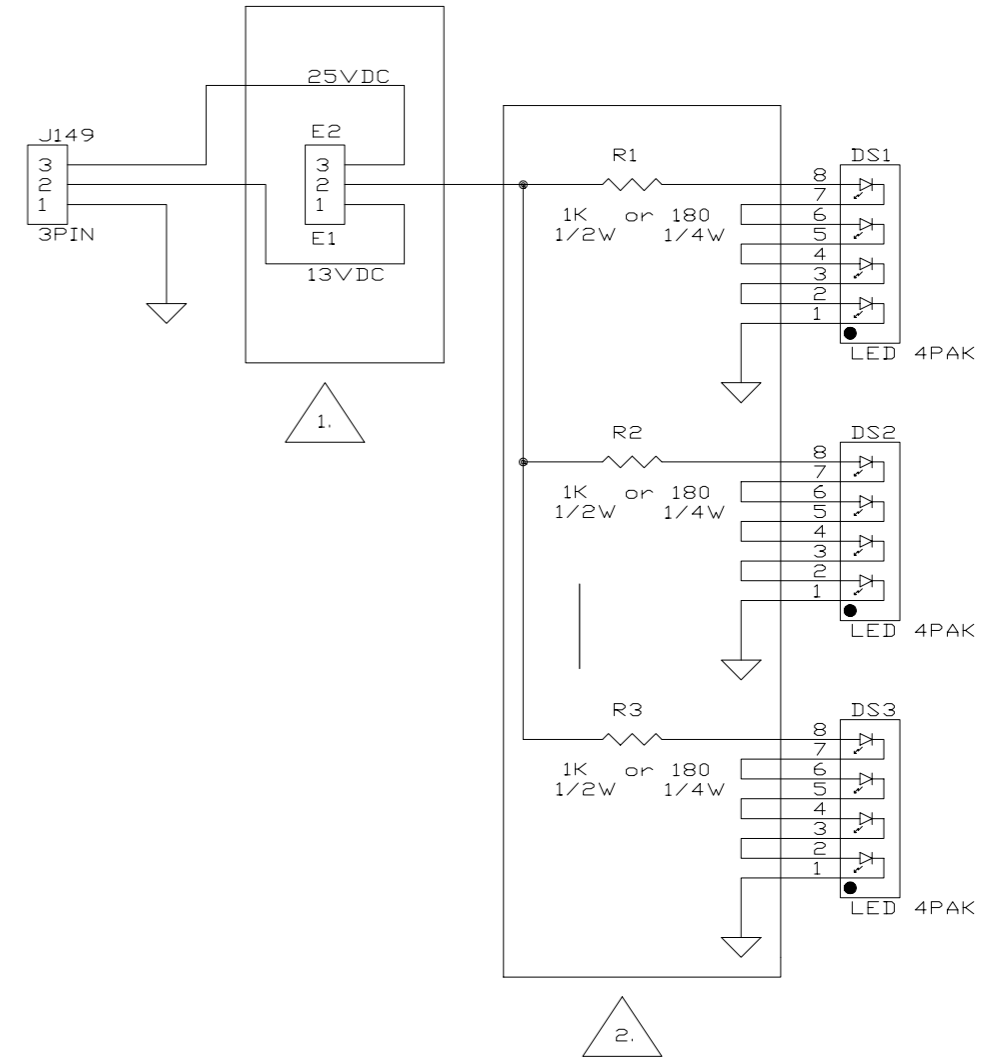


CIRCUIT SIDE

JUMPER CHART

VERSION	00	01
E1	X	
E2		X

X INDICATES
WIRE JUMPER



- 1. STRAP 2-3 (E2) FOR 75112101 VERSION AND 1-2 (E1) FOR 75112100 VERSION.
- 2. R1,R2 AND R3 ARE 1K, 1/2W FOR 75112101 VERSION AND 180 OHM, 1/4W FOR 75112100 VERSION.