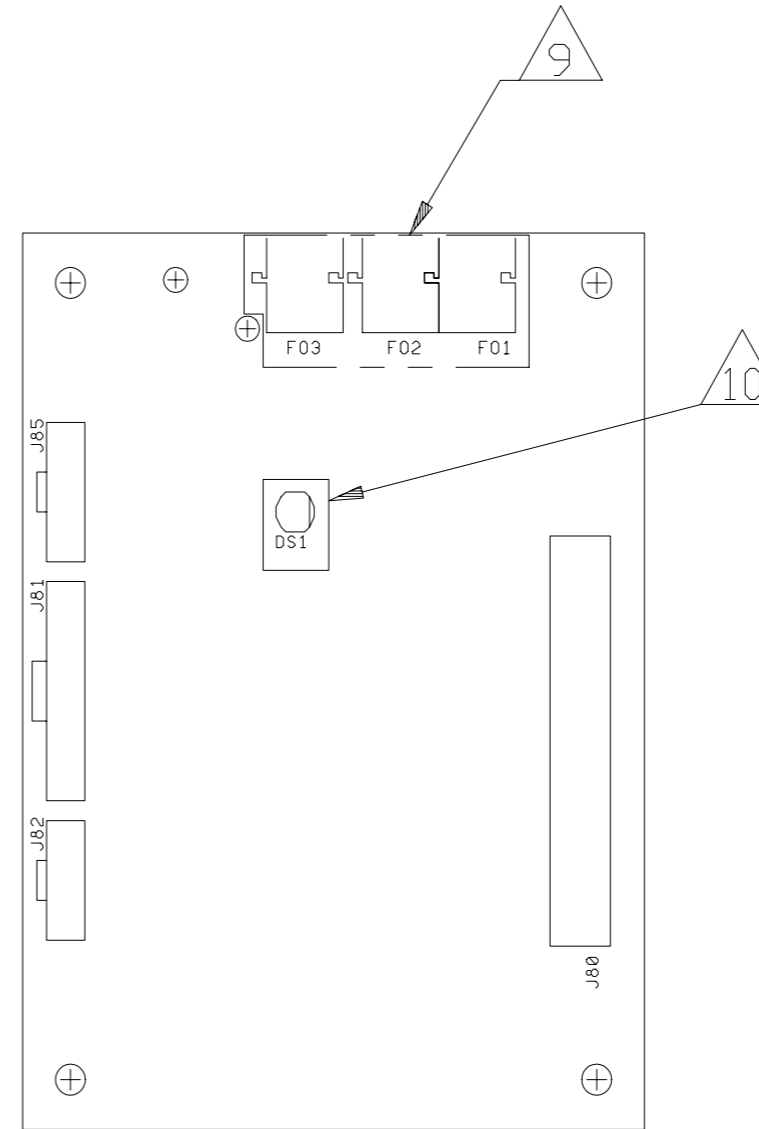


Component	Description	Part Number
REF SCHEMATIC	COMMUNICATIONS BOARD, REV B	754 261 13
REF RAW	COMMUNICATIONS BOARD, REV A	754 261 33
REF DRAWING	COMMUNICATIONS BOARD, REV B	754 261 52
REF SUB ASSEMBLY/LIST	COMMUNICATIONS BOARD, REV B	754 261 47 *
REF SUB ASSEMBLY/LIST	COMMUNICATIONS BOARD, REV C	754 261 48 &
REF SUB ASSEMBLY/LIST	COMMUNICATIONS BOARD, REV B	754 261 49 +
REF DS1	SPACER, NY RD .14ID X .25OD X .25	312 001 90
REF E1	JUMPER, 2 PIN, .100	639 027 90
C1,2,5,6,9-20	CAPACITOR, CERAMIC, .1UF 50V+80-20% AX T/R	152 078 91
C3	CAPACITOR, ELC, RAD, 1000UF, 25V	156 070 90
C4	CAPACITOR, ELECTRO, RAD, 470UF, 16V, SHT	156 060 90
C7	CAPACITOR, CERAMIC, 1000PF 20% 50V AX T/R	152 086 91
CR1,2	RECTIFIER, SIL 1A 50V 1N4001	484 021 90
CR3-8	DIODE, SW., 100V 100MA 1N4148	480 033 91
DS1	EMITTER, LED, RED, MV5753	371 002 90
E1,2	CONNECTOR, HDR, 2 PIN UNSHOUD STR	211 127 90
FO1	FIBER OPTIC RECEIVER, HFBR-2522	375 016 90 &+
FO2	FIBER OPTIC TRANSMITTER, HFBR-1523	375 014 90 &+
FO3	FIBER OPTIC TRANSMITTER, HFBR-1523	375 014 90 +
J80	CONNECTOR, HDR, 26PIN, STR, SHROUD, KEYD	211 011 90
J81	CONNECTOR, HDR, 10PIN, STR, SHROUD, SL	211 074 90
J82	CONNECTOR, 5 PIN, STR, SHROUD	211 025 90
J84	CONNECTOR, HDR, 3 PIN, STR, MINIFIT JR	211 129 90
J85	CONNECTOR, HDR, 6 PIN, STR SHROUD SL	211 058 90
Q1	TRANSISTOR, NPN, GEN PURP, 2N3904 T/R	481 017 91
R1	RESISOR, CF, 3.3K OHM .25W T/R	474 034 91
R2,22	RESISTOR, CF, 51 OHM .50W T/R	471 123 91
R3,13	RESISTOR, CF, 200 OHM .25W T/R	474 017 91
R4	RESISTOR, CF, 3K OHM .25W T/R	474 005 91
R5	RESISTOR, CF, 750 OHM .25W T/R	474 008 91
R6	RESISTOR, CF, 1K OHM .25W T/R	474 023 91
R7,9,21	RESISTOR, MF, 24.3K OHM .25W 1% TR	476 058 91
R8	RESISTOR, CF, 680 OHM .25W T/R	474 057 91
R10,23	RESISTOR, CF, 10K OHM .25W T/R	474 026 91
R11,12,20	RESISTOR, MF, 13K OHM .25W 1% TR	476 057 91
RP1	RESISTOR, NTWK., 10K-9 10P SIP	478 091 90
U1	REG, +5V, .5A LOW DROP LM2937ET	488 045 90
U2	IC, DUAL AND DRIVER 75451	320 184 90
U3	OPTO, COUPLER, DUAL, ILD-2	370 033 90
U4,7	IC, HEX LEVEL SHIFTER 4504B	320 483 90
U6	IC, SCHMIT/TRIG HX/INV 74HC14	320 266 90
U8	IC, GATE, OR, QUAD 2-IN 74HC32	320 275 90
U9	IC, RS232 TRANSCEIVER W/SHTDWN	321 043 90
U10,11	IC, DIFF, RS-485, TRANSCEIVER	321 057 90

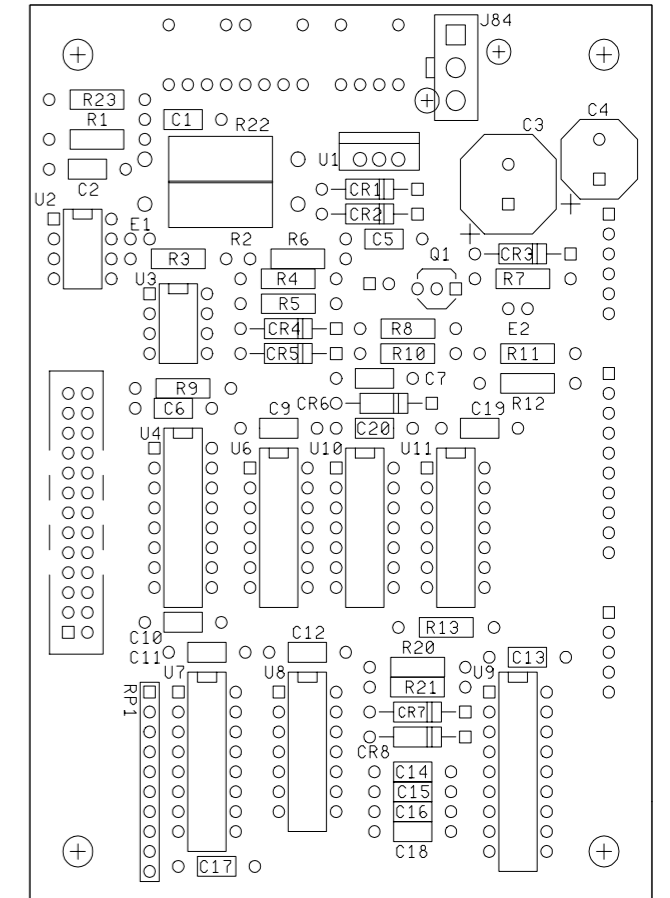
* 754 261 47
 & 754 261 48
 + 754 261 49

9. INDICATED COMPONENTS MAY NOT BE USED ON ALL ASSEMBLIES.

10. DO NOT ALLOW THE LED DISPLAY DEVICES TO COME IN CONTACT WITH ANY CHEMICALS WHICH COULD HARM THE SURFACE OF RESIN. IF CLEANING IS REQUIRED, USE WATER.



CIRCUIT SIDE



COMPONENT SIDE