

2.2 Game King[®] 17” Upright

Game King 17” upright machines operate from 108 to 132 VAC (120) or 198 to 264 VAC (230), both at 50/60 Hz line frequency. Tables and figures in this section define the following specifications:

- Electrical Specifications – Table 2-7
- Physical Specifications – Table 2-8
- Cabinet Dimensions – Figures 2-6, 2-7 and 2-8
- Base Dimensions – Figure 2-9
- Stand Specifications – Figure 2-10 and Table 2-9
- Lock Specifications – Figure 2-11 and Table 2-10

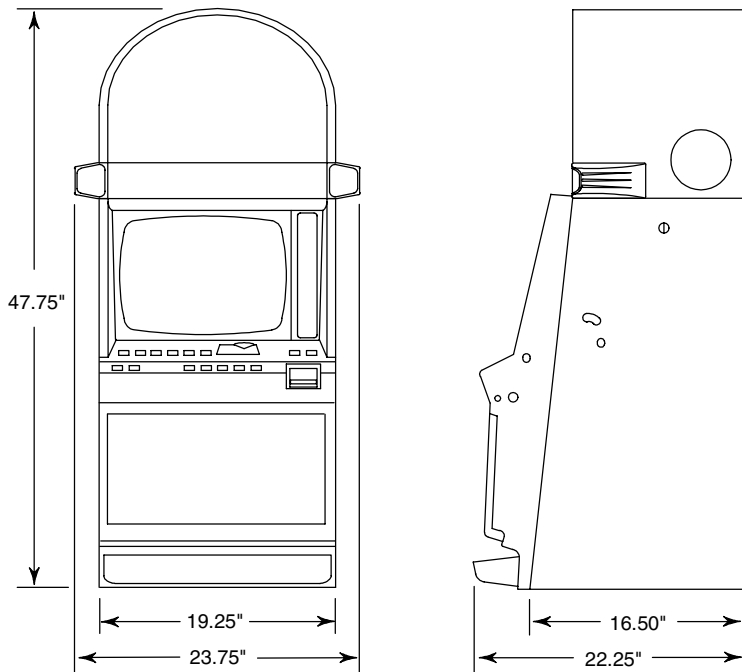
Table 2-7. Electrical Specifications – Game King 17” Upright		
Characteristic		Specification
AC line voltage (single phase)	120 V Option	108 to 132 VAC
	230 V Option	198 to 264 VAC
Power consumption (average)	120 VAC @ 50/60 Hz	2.4 Amps
		200 Watts
	230 VAC @ 50/60 Hz	1.2 Amps
		190 Watts
Circuit breaker		6.0A, 115 V/230 V
Electrical recommendations		(On floor – per machine)
Heat Flux (use for cooling requirements)		460 BTU/hr @ 120/240 VAC

Table 2-8. Physical Specifications – Game King 17” Upright				
Characteristic			Specification	
Round top	Height		47.75”	121.3 cm
	Width	Base	19.25”	48.9 cm
		Maximum	23.75”	60.3 cm
	Depth	Base	16.50”	41.9 cm
		Maximum	22.25”	56.5 cm
Weight			247 lbs.	111.2 kg
9” top box	Height		42.75”	108.6 cm
	Width	Base	19.25”	48.9 cm
		Maximum	23.75”	60.3 cm
	Depth	Base	16.50”	41.9 cm
		Maximum	22.25”	56.5 cm
Weight			247 lbs.	111.2 kg
16” top box	Height		51.00”	129.5 cm
	Width	Base	19.25”	48.9 cm
		Maximum	23.75”	60.3 cm
	Depth	Base	16.50”	41.9 cm
		Maximum	22.25”	56.5 cm
Weight			256 lbs.	116.0 kg
Maximum combustible material weight			18.97 lbs.	8.6 kg

Note: *The maximum combustible material weight figure is an estimate based on a typical machine configuration, and is for reference only.*

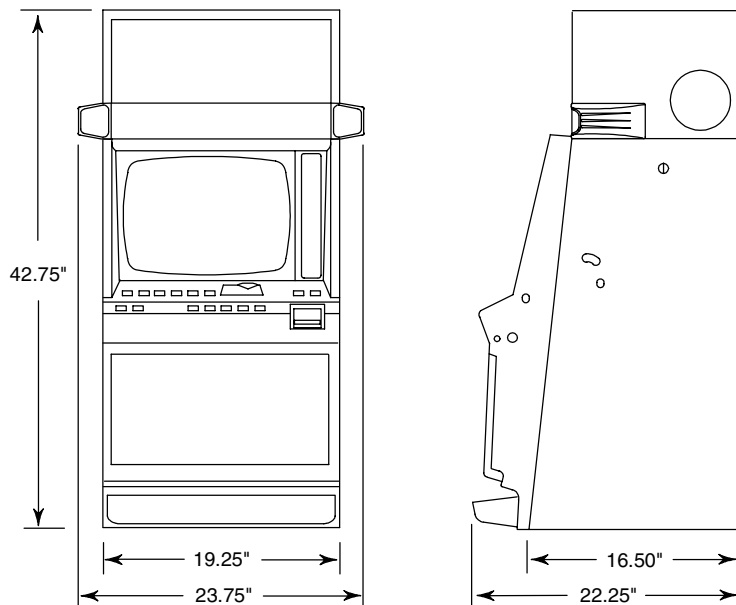
Each machine's weight may vary depending on the configuration of features and options. It is recommended that a reasonable factor of safety be incorporated to allow for variances in design and manufacturing of the individual products.

The information presented in this manual applies only to IGT equipment and in no way applies to other manufacturers' equipment in determining the combustible content of machines.



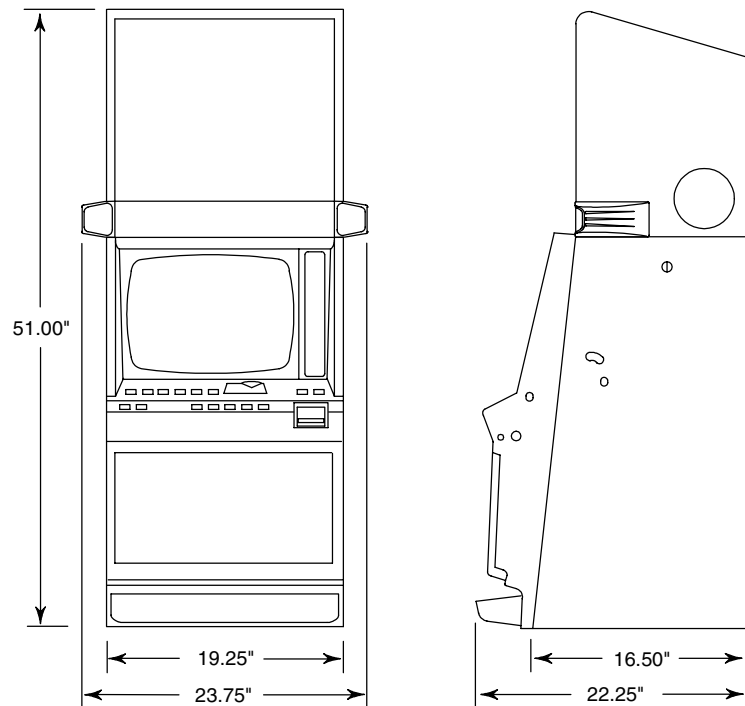
00000153-030101

Figure 2-6. Cabinet Dimensions – Game King 17" Upright with Round Top Box



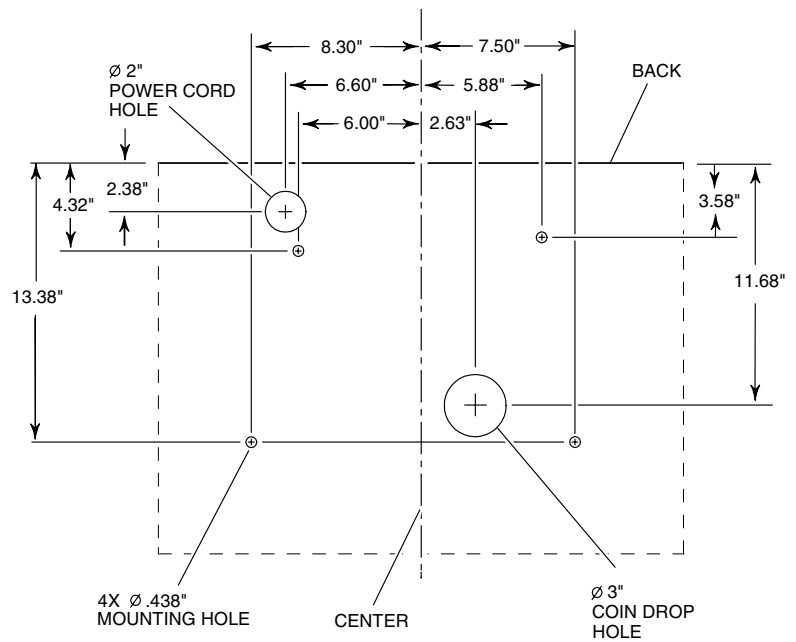
00000154-030101

Figure 2-7. Cabinet Dimensions – Game King 17" Upright with 9" Square Top Box



00000155-030101

Figure 2-8. Cabinet Dimensions – Game King 17” Upright with 16” Square Top Box



00000175-031001

Figure 2-9. Base Dimensions – Game King 17” Upright

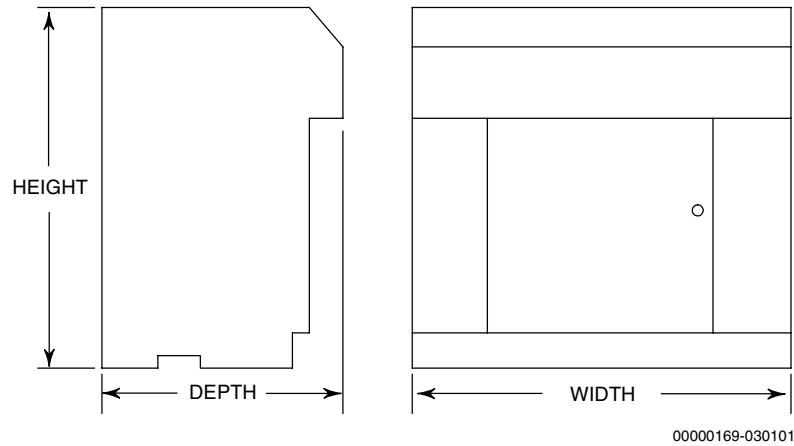


Figure 2-10. Stand Specifications – Game King 17” Upright

Table 2-9. Stand Specifications – Game King 17” Upright						
Measurements			Finish Options			
Height	Width	Depth	Wood	Metal/ Aluminum	Loud Bowl	Standard Bowl
23”	25.75”	20.55”	✔		✔	✔
(NJ only) 22”	25.75”	20.55”	✔			
Average Weight: 60 lbs. (wood)						

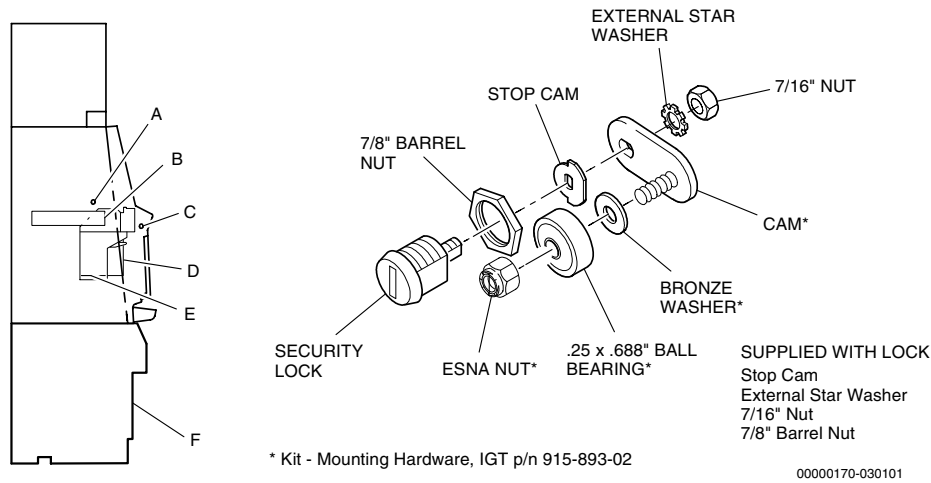



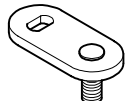
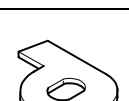



Figure 2-11. Lock Specifications – Game King 17" Upright with WBA®

Table 2-10. Lock Specifications – Game King 17" Upright with WBA®					
Lock Location	Barrel Length	Key Rotation	Cam	Part Number	Location
A Machine Door	5/8" or 1-1/8" with 1/2" or 5/8" spacer (in hardware kit)	90° RH	 803-330-00	803-330-00	In hardware kit
B Processor Tray with Detect	5/8" or 1-1/8"	90° LH* or RH	 803-323-00	803-323-00	In processor tray
C Belly Glass Door	5/8" with 1/8" spacer (in hardware kit)	90° LH*	 803-072-00	803-072-00	In hardware kit
D Bill Acceptor Access Door	5/8" (in hardware kit)	90° LH* or RH	 803-074-00	803-074-00	In hardware kit
E Bill Acceptor Cash Box Door	5/8" or 1-1/8" with 1/16" or 1/8" spacer (none with 1/8" barrel) (in hardware kit)	90° LH*	 803-329-90	803-329-90	Taped to cash box
F Stand Drop Door	1-1/8"	90° or 180° RH	 803-019-90	803-019-90	In hardware kit

All IGT barrel diameters are 3/4" unless otherwise noted.
 *Left-hand unlocks with counterclockwise key rotation.