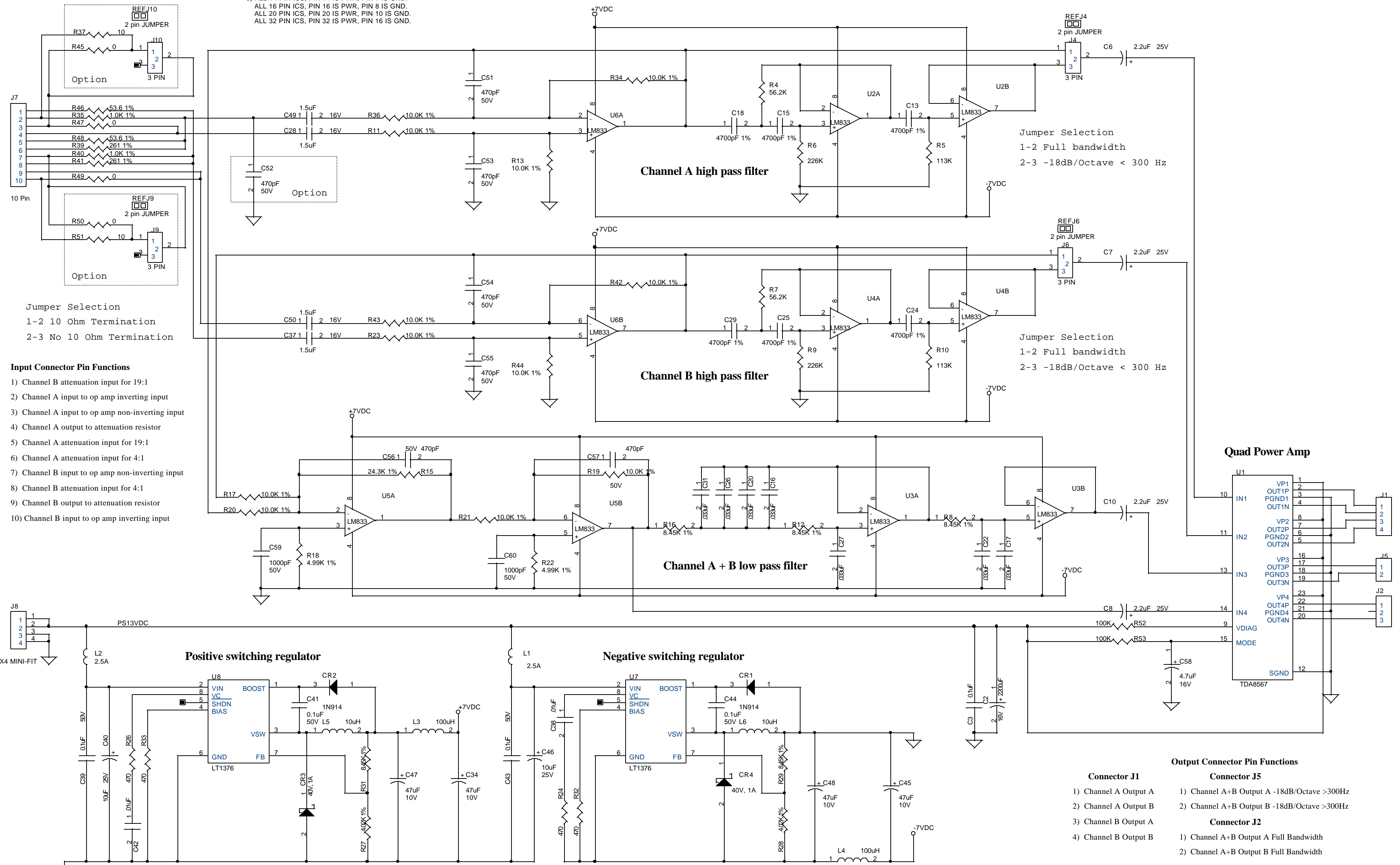


REVISIONS				
REV	ECO	DESCRIPTION	BY/DATE	CHK/DATE
EA		PROTOTYPE RELEASE	MSH/24JAN01	
EB		ADDED COMPENSATION ACROSS R19 AND R22	MSH/24JAN01	
A	11373	PRODUCTION RELEASE	MSH/17MAR01	

NOTES:
(UNLESS OTHERWISE SPECIFIED)

- 1) ALL THROUGH HOLE RESISTORS EXPRESSED IN OHMS 1/4W 5%
ALL SURFACE MOUNT RESISTORS EXPRESSED IN OHMS 1/10W 5%
- 2) ALL CAPACITORS EXPRESSED IN MICROFARADS
- 3) ALL 14 PIN ICs, PIN 14 IS PWR, PIN 7 IS GND.
ALL 16 PIN ICs, PIN 16 IS PWR, PIN 8 IS GND.
ALL 20 PIN ICs, PIN 20 IS PWR, PIN 10 IS GND.
ALL 32 PIN ICs, PIN 32 IS PWR, PIN 16 IS GND.

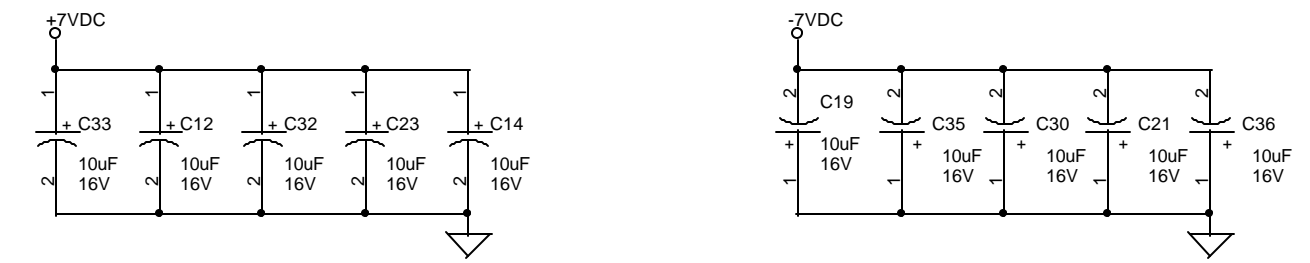
Jumper Selection
1-2 10 Ohm Termination
2-3 No 10 Ohm Termination



Jumper Selection
1-2 10 Ohm Termination
2-3 No 10 Ohm Termination

- Input Connector Pin Functions**
- 1) Channel B attenuation input for 19:1
 - 2) Channel A input to op amp inverting input
 - 3) Channel A input to op amp non-inverting input
 - 4) Channel A output to attenuation resistor
 - 5) Channel A attenuation input for 19:1
 - 6) Channel A attenuation input for 4:1
 - 7) Channel B input to op amp non-inverting input
 - 8) Channel B attenuation input for 4:1
 - 9) Channel B output to attenuation resistor
 - 10) Channel B input to op amp inverting input

- Connector J1**
- 1) Channel A Output A
 - 2) Channel A Output B
 - 3) Channel B Output A
 - 4) Channel B Output B
- Connector J5**
- 1) Channel A+B Output A -18dB/Octave >300Hz
 - 2) Channel A+B Output B -18dB/Octave >300Hz
- Connector J2**
- 1) Channel A+B Output A Full Bandwidth
 - 2) Channel A+B Output B Full Bandwidth



ALL DESIGN, OPERATIVE AND PROCESS DATA PERTAINING TO THE ARTICLE SHOWN ON THIS SHEET IS THE PROPERTY OF INTERNATIONAL GAME TECHNOLOGY, RENO, NEVADA, THIS INFORMATION IS DISCLOSED IN CONFIDENCE AND IS NOT TO BE COPIED, REPRODUCED, REVEALED TO OR APPROPRIATED BY OTHERS, IN PART OR IN WHOLE, WITHOUT THE EXPRESS CONSENT OF IGT. THIS PRINT IS LOANED AND RECIPIENT DETRIMENTAL TO THE INTEREST OF IGT, AND MUST BE RETURNED ON DEMAND.

INTERNATIONAL GAME TECHNOLOGY 9295 PROTOTYPE DRIVE RENO, NV 89511		
TITLE PCB, IN LINE AMP, ALTERNATE		
DWG. SIZE C	DWG. NO. 769 280 10	REV LTR A
DRAWN M. S. HOY	DATE 16FEB01	CHECKED
DATE	SCALE NONE	SHT 1 OF 1