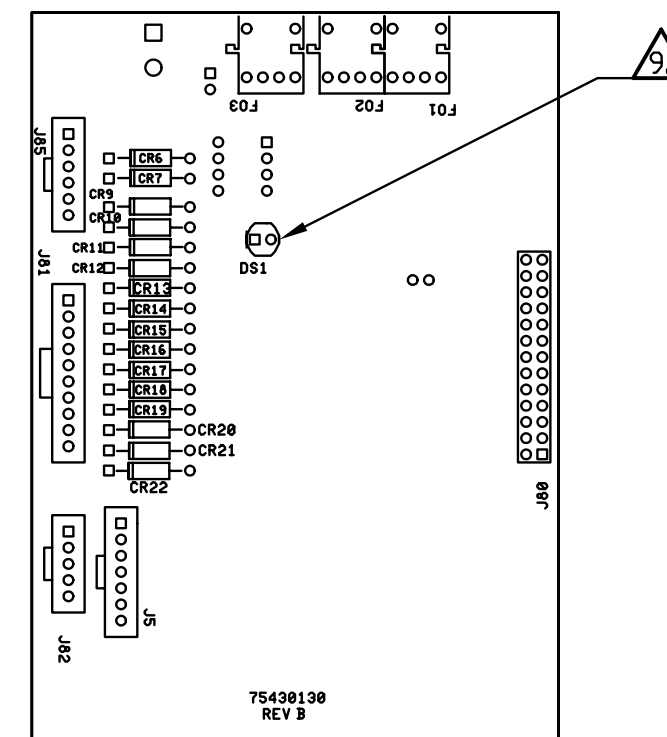
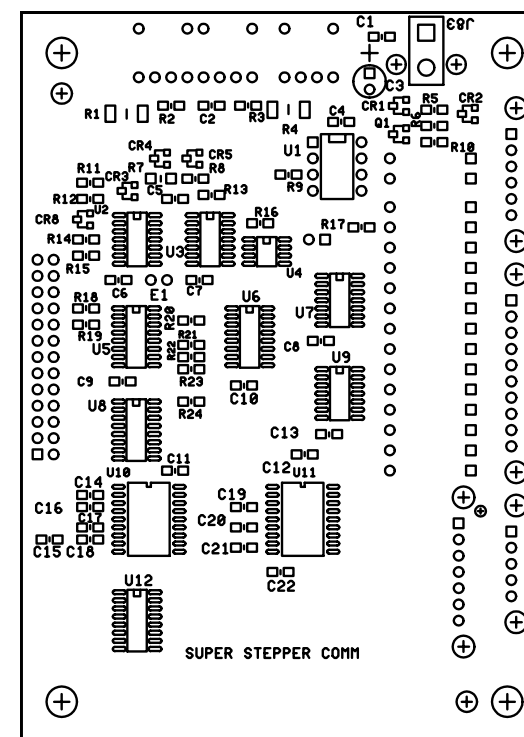


Component	Description	Part Number
REF SCHEMATIC	BOARD, COMMUNICATIONS, REV A	754 301 10
REF RAW	BOARD, COMMUNICATIONS, REV B	754 301 30
REF DRAWING	BOARD, COMMUNICATIONS, REV B	754 301 50
REF SUB ASSEMBLY/LIST	BOARD, COMMUNICATIONS, REV B	754 301 40
REF DS 1	SPACER, NY, RD, .14ID X .25OD X .25	312 001 90
C1,2,4,6-22	CAPACITOR, CERAMIC, SMT, .1UF, 50V, 0805, T/R	152 134 91
C3	CAPACITOR, ELEC, 4.7MFD, 50V, RAD	156 094 90
C5	CAPACITOR, 1000PF, 20%, 50V, 0805, SMRT	152 152 91
CR1-5,8	DIODE, SWITCH, BAS21LT1, SMT	480 111 91
CR7,10,12,14,16,18	DIODE, IN5242B, T/R	480 092 91
CR19,21	DIODE, ZEN, 6.8V, 500MW, 1N5235B	480 014 90
CR20,22	DIODE, ZEN, 6.8V, 500MW, 1N5235B	480 014 90
DS1	EMITTER, LED, RED, MV5753	371002 90
E1	CONNECTOR, HDR, 2 PIN, UNSHOUD, STR	211 127 90
E1	JUMPER, 2 PIN, .100	639 027 90
FO1,O3	FIBER OPTIC XMT, HFBR 1523	375 014 90
FO2	FIBER OPTIC RECVR, HFBR 2522	375 016 90
J5	CONNECTOR, HDR, 7 PIN, STR, SHR, RP	211 346 90
J80	CONNECTOR, HDR, 26 PIN, STR, SHROUD, KEYD	211 011 90
J81	CONNECTOR, HDR, 10 PIN, STR, SHR, RP	211 001 90
J82	CONNECTOR, HDR, 5 PIN, STR, RP	211 377 90
J83	CONNECTOR, HDR, 2 PIN, STR, MINIFIT JR	211 123 90
J85	CONNECTOR, HDR, 6 PIN, STR, SHR, RP	211 342 90
Q1	XTR, NPN, MMBT 3904, SOT23	481 092 90
R1,4	RESISTOR, TFC, 51.1 OHM, 1%, 2010, T/R	474 255 91
R2	RESISTOR, TFC, 1K, 5%, .100W, 0805	474 227 91
R3	RESISTOR, 3.3K, 5%, .100W, 0805, SMT	474 173 91
R5,6	RESISTOR, TFC, 680 OHM, 5%, 0805, T/R	474 256 91
R7	RESISTOR, TFC, 200, OHM, 1%, .125W, 1206	474 208 91
R8,12,14	RESISTOR, TFC, 24.3K, 1%, 0805, T/R	474 253 91
R9	RESISTOR, 2K, 5%, 0805, SMT	474 248 90
R10,16,18-24	RESISTOR, TFC, 10K OHM, .100W, 5%, 0805	474 156 91
R11,13,15	RESISTOR, TFC, 13K, 5%, 0805, T/R	474 254 91
R17	RESISTOR, 750 OHM, 5%, .100W, 0805	474 232 91
U1	OPTO, COUPLER DUAL, ILD 2	370 033 90
U2	IC, HEX, SCHMT, TRIG, 74HC14D, SOIC	320 428 90
U3	IC, GATE, OR, QD, 2 IN, 74HC32, SMT	320 609 90
U4	IC, DUAL DRIVER, 75451, SOIC	320 426 90
U5,6,8,12	IC, HEX, LEVEL, SHIFTER, 4504B, SMT	320 611 91
U7,9	IC, INTF, RS485, XCVR, F DPLX, SOIC	321 059 90
U10,11	IC, RS232, SCVR, W/SD, MAX222, SMT	321 063 90



BOTTOM VIEW

9. DO NOT ALLOW THE LED DISPLAY DEVICES TO COME IN CONTACT WITH ANY CHEMICALS WHICH COULD HARM THE SURFACE OF RESIN. IF CLEANING IS REQUIRED, USE WATER.