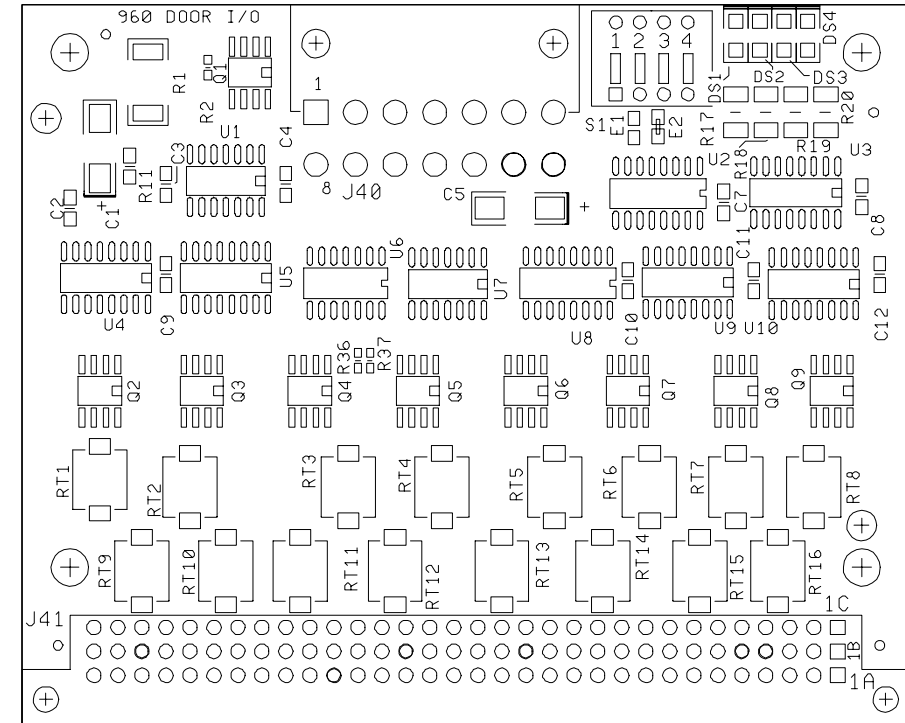
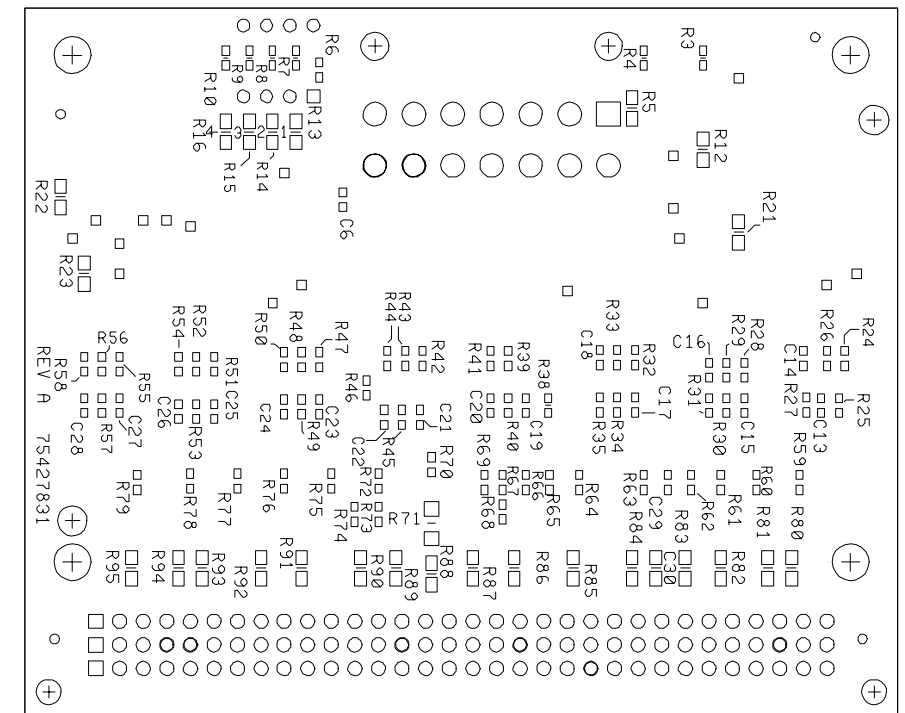


Component	Description	Part Number
REF SCHEMATIC	BOARD, PC, I/O, DOOR, REV A	754 278 11
REF RAW	BOARD, PC, I/O, DOOR, REV A1	754 278 31
REF DRAWING	BOARD, PC, I/O, DOOR, REV A	754 278 51
REF SUB ASSEMBLY/LIST	BOARD, PC, I/O, DOOR, REV B	754 278 41
C1	CAPACITOR, TANT, 10UF, 16V, 10%, 6032, T/R	154 039 91
C2-4,7-12,30	CAPACITOR, CERAMIC, SMT, .1UF, 50V, 0805, T/R	152 134 91
C5	CAPACITOR, TANT, 3.3UF, 35V, 10%, 6032, T/R	154 040 91
C6,13-29	CAPACITOR, CERAMIC, .01UF, 50V, 10% X7R, 0603	152 151 91
J40	CONNECTOR, 14 PIN, B/M, MINI-FIT, R/A	211 341 90
J41	CONNECTOR, DIN 96 PIN, R/A, W/BL	215 637 90
Q1-9	XSTR, FET, NMOS, 50V, 2A, SMT, SO-8	481 112 91
R1	RESISTOR, 0 OHM JUMPER, 3AMP, SMT, 2512	474 271 91
R2-4,6-10,36,37,67,68,73,74	RESISTOR, TFC, 10K OHM, 5%, .0625W, 0603	474 165 91
R5	RESISTOR, TFC, 27 OHM, .100W, 5%, 0805	474 158 91
R11	RESISTOR, TFC, 10 OHM, .100W, 5%, 0805	474 152 91
R12,13,15,21-23,80-95	RESISTOR, TFC, 2.2K OHM, .100W, 5%, 0805	474 154 91
R24,26,28,29,32,33,38,39,42,43,46-48	RESISTOR, TFC, 1M OHM, 5%, .0625W, 0603	474 166 91
R25,27,30,31,34,35	RESISTOR, TFC, 100K OHM, 5%, .0625W, 0603	474 167 91
R40,41,44,45,49,50,53,54,57,58	RESISTOR, TFC, 100K OHM, 5%, .0625W, 0603	474 167 91
R51,52,55,56,59-63,65,66,69,70,72,75-79	RESISTOR, TFC, 1M OHM, 5%, .0625W, 0603	474 166 91
R64	RESISTOR, TFC, 4.7K OHM, 5%, .0625W, 0603	474 264 91
R71	RESISTOR, TFC, 1K OHM, .125W, 1206	474 122 91
RT1-16	SUPPR, CURRENT, 0.75A, SMD-050	483 045 90
U1	IC, FF, DUAL, D, S/R, 14013, SOIC	320 490 90
U2	IC, 4BIT, MAG, COMP, 14585B, SOIC	320 407 90
U3-4,9	IC, SHFT, REG, W/LTH, 14094, SOIC	320 493 90
U5,10	IC, SHFT REG, ASYNC LD, 14021, SOIC	320 491 90
U6	IC, NOR, QUAD, 2-IN, 14001, SOIC	320 489 90
U7	IC, INV, HEX, SCHMITT, 14106, SOIC	320 487 90
U8	IC, BUFFER, HEX, 3-STE, 14503, SOIC	320 492 90



PRIMARY SIDE



SECONDARY SIDE