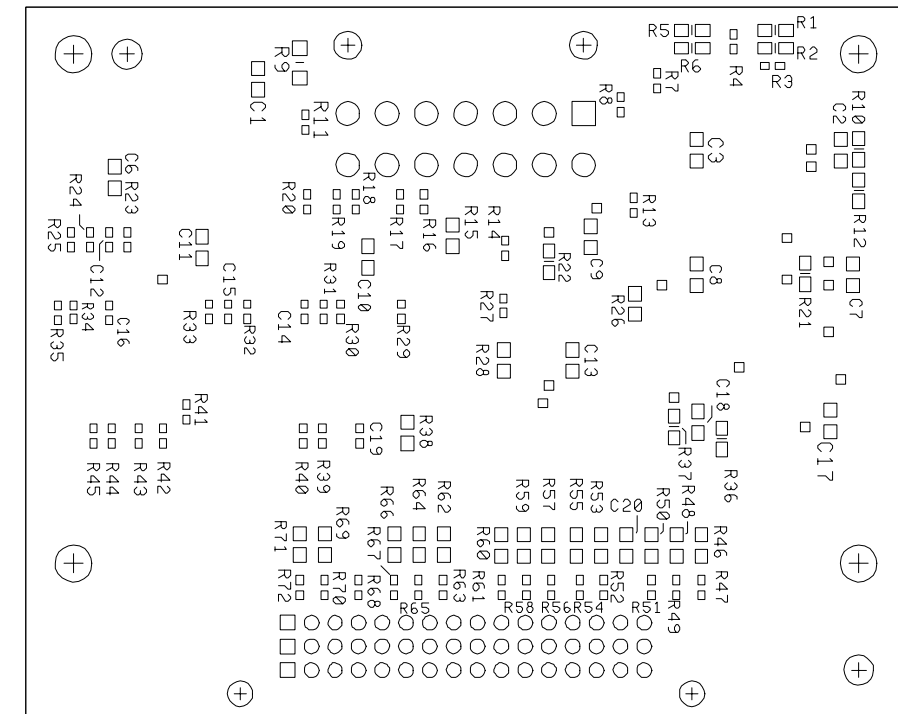
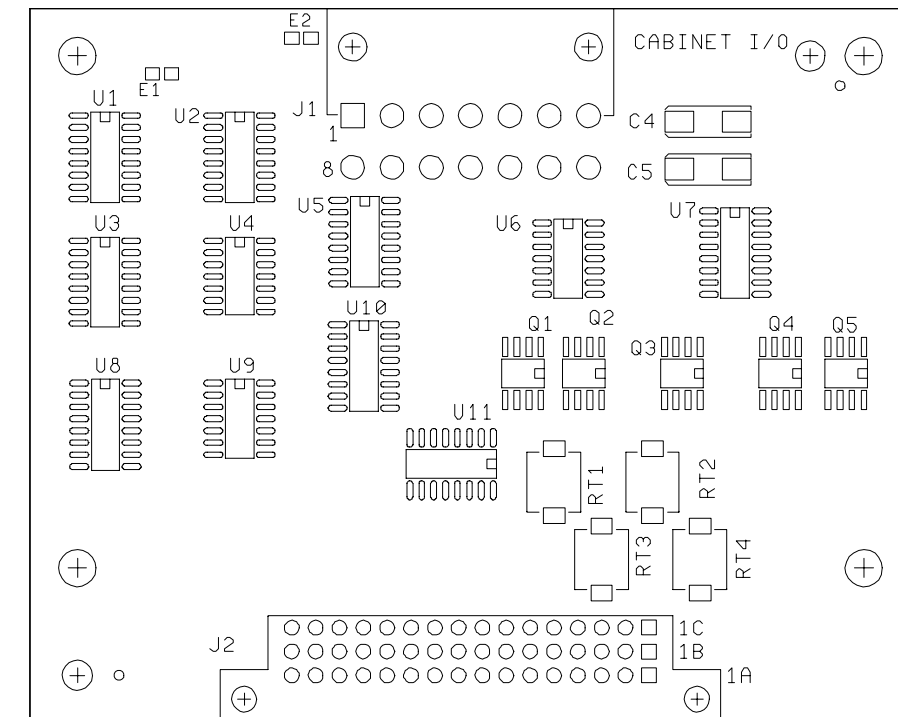


Component	Description	Part Number
REF SCHEMATIC	BOARD, PC, I/O, LOWER CABINET, REV A	754 276 11
REF RAW	BOARD, PC, I/O, LOWER CABINET, REV A	754 276 31
REF DRAWING	BOARD, PC, I/O, LOWER CABINET, REV A	754 276 51
REF SUB ASSEMBLY/LIST	BOARD, PC, I/O, LOWER CABINET, REV A	754 276 41
C1-3,6-11,13,17,18,20	CAPACITOR, CERAMIC, SMT, .1UF, 50V, 0805,T/R	152 134 91
C4	CAPACITOR, TANT, 3.3UF, 35V, 10%, 6032, T/R	154 040 91
C5	CAPACITOR, TANT, 10UF, 16V, 10%, 6032, T/R	154 039 91
C12,14-16,19	CAPACITOR, CERAMIC, .01UF, 50V, 10%, X7R, 0603	152 151 91
J1	CONNECTOR, 14 PIN, B/M, MINI-FIT, R/A	211 341 90
J2	CONNECTOR, DIN, 48 PIN, R/A, W/BL	215 639 90
Q1-5	XSTR, FET, NMOS, 50V, 2A, SMT, SO-8	481 112 91
R1,2,10,12,21,22,26,28,36,37,46,48	RESISTOR, TFC, 2.2K OHM, .100W, 5%, 0805	474 154 91
R3,4,7,8,11,16-20	RESISTOR, TFC, 10K OHM, 5%, .0625W, 0603	474 165 91
R9	RESISTOR, TFC, 1K OHM, .125W, 1206	474 122 91
R13,14,24,27,31,33,34,40,45,47,49	RESISTOR, TFC, 1M OHM, 5%, .0625W, 0603	474 166 91
R15	RESISTOR, TFC, 10 OHM, .100W, 5%, 0805	474 152 91
R23,25,29,30,32,35,39,41,44	RESISTOR, TFC, 100K OHM, 5%, .0625W, 0603	474 167 91
R38	RESISTOR, TFC, 27 OHM, .100W, 5%, 0805	474 158 91
R42,43,68	RESISTOR, TFC, 4.7K OHM, 5%, .0625W, 0603	474 264 91
R50,53,55,57,59,60,62,64,66,69,71	RESISTOR, TFC, 2.2K OHM, .100W 5%, 0805	474 154 91
R51,52,54,56,58,61,63,65,67,70,72	RESISTOR, TFC, 1M OHM, 5%, .0625W, 0603	474 166 91
RT1-4	SUPPRESSOR, CURRENT, 0.75A, SMD-050	483 045 90
U1	IC, 4BIT, MAG, COMP, 14585B, SOIC	320 407 90
U2	IC, BUFFER, HEX, 3-STE, 14503, SOIC	320 492 90
U3,7,10	IC, SHFT REG, W/LTH, 14094, SOIC	320 493 90
U4	IC, NOR, QUAD, 2-IN,14001, SOIC	320 489 90
U5,8	IC, SHFT REG, ASYNC LD, 14021,SOIC	320 491 90
U6	IC, INV, HEX, SCHMITT, 14106, SOIC	320 487 90
U9	IC, FF, DUAL, D, S/R, 14013, SOIC	320 490 90
U11	IC, DRV, DARL, 7-OUT, ULN2004, SOIC	320 496 90



CIRCUIT SIDE



COMPONENT SIDE