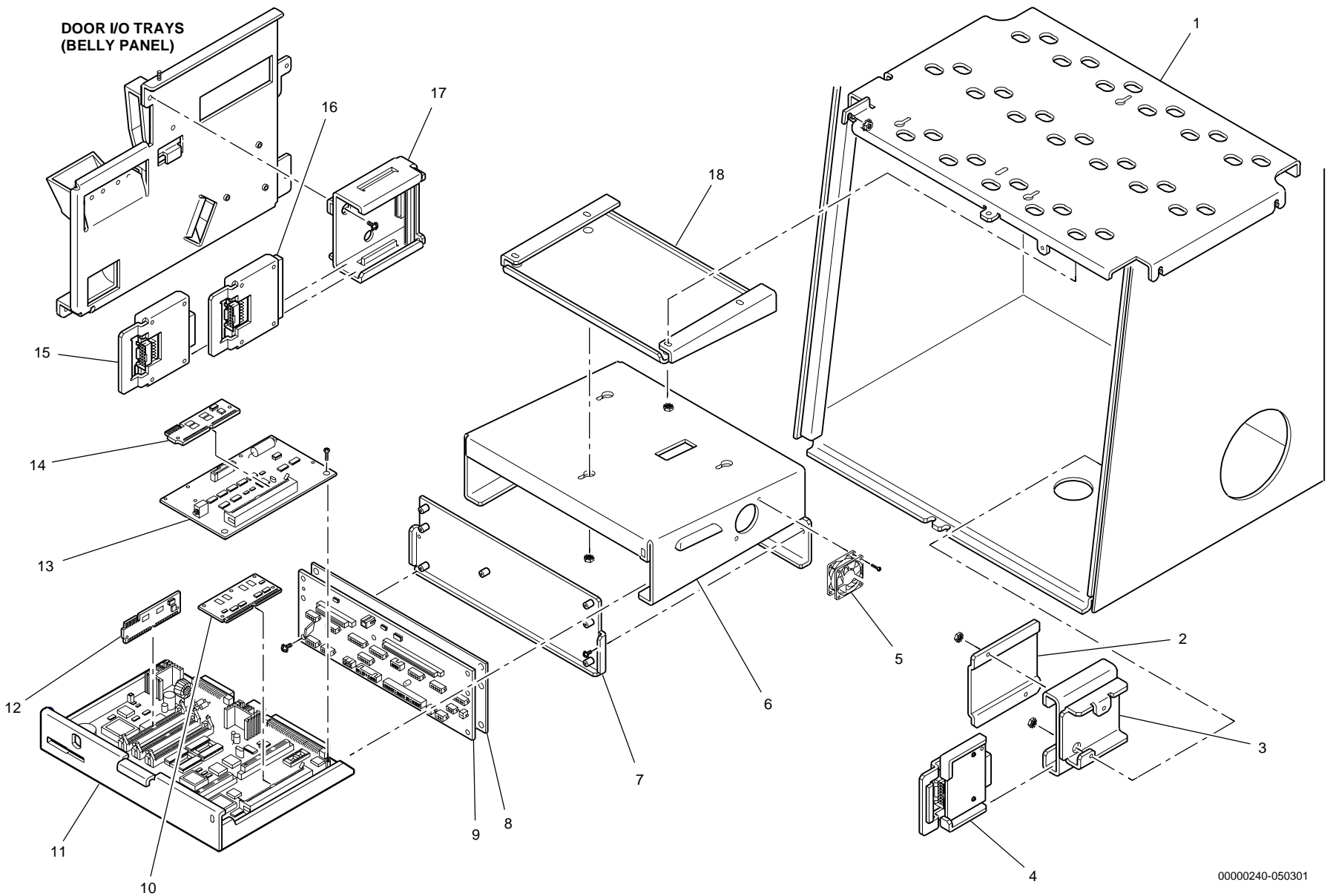


LOGIC MODULE



00000240-050301

LOGIC MODULE

Fig. No.	Part. No.	Description	Qty.	Fig. No.	Part. No.	Description	Qty.
1	670 151 00	SHELF, MONITOR, 19 U/R, GK+	1	KIT	918 175 00	KIT, PROCESSOR, 1 LOCK, N/TT, N/PA, 960, GK	1
-	281 041 90	GROMMET, CONT, .036 - .062 THK PNL	1	KIT	918 175 01	KIT, PROCESSOR, 2 LOCK, N/TT, N/PA, 960, GK	1
-	430 028 91	WASHER, FLAT, STEEL, M4	7	11	597 254 00	TRAY, PROCESSOR, 039, 1 LOCK, N/PA, 960	1
-	424 015 91	NUT, KEP, STEEL, M4	7	11	597 254 02	TRAY, PROCESSOR, 039, 2 LOCKS, N/PA, 960	1
2	688 383 00	COVER PLATE, I/O GUIDE, 19 GK+	1	-	757 039 0X	PCB, GAME KING VIDEO CONTROLLER	1
-	424 015 91	NUT, KEP, STEEL, M4	2	-	310 115 00	INSULATOR, PROCESSOR BOARD, 039	1
3	581 012 00	GUIDE, I/O BOARD, CAB, SINGLE	1	-	419 018 91	SCREW, SEMS, PH PAN, M3 X 8	8
-	424 015 91	NUT, KEP, STEEL, M4	2	-	581 369 00	GUIDE, PROCESSOR BOARD	1
ASSY	149 302 00	ENCLOSURE ASSEMBLY, I/O BOARD, CAB	1	-	419 018 93	SCREW, SEMS, PH PAN, M3 X 12	1
4	149 233 00	ENCLOSURE, I/O BOARD	1	-	430 029 90	WASHER, FENDER, FLAT, STEEL, M3	1
-	754 276 0X	PCB, 960, LOWER CABINET, I/O III, ASSEMBLY	1	12	768 265 00	SIMM, FLASH, 8MBYTE, 120NS, 72PIN (PIXEL MEMORY) *	
-	419 510 97	SCREW, SEMS, PH PNA, 6-32 X 1/2	4	-	768 265 01	SIMM, FLASH, 16MBYTE, 120NS, 72PIN (PIXEL MEMORY)*	
				-	768 265 02	SIMM, EXPAN, 4MBYTE, 120NS, 72PIN(PIXEL MEMORY) *	
5	260 038 90	FAN, 1.6" SQ, 24VDC	1	KIT	918 155 00	KIT, MULTIMEDIA LITE, 960	1
-	411 013 99	SCREW, MACHINE, PH PAN, M3 X 25	2	KIT	918 350 00	KIT, MULTIMEDIA LITE 2, 960	1
ASSY	149 303 04	ENCLOSURE ASSEMBLY, PROSS, W/DTCT, 3TYP5	1	13	769 232 0X	PCB, MULTIMEDIA LITE 1	1
-	608 595 00	HARNESS, SWITCH, CARD CAGE DETECT	1	13	769 244 0X	PCB, MULTIMEDIA LITE 2, VD/SS	1
-	510 002 90	SWITCH, MINI, SIM ROLLER, 119QC	1	-	312 104 90	STANDOFF, MF, M3 X .05 X 14 LG, HEX	2
-	420 000 90	NUT, HEX, STEEL, 2-56	2	-	411 016 91	SCREW, MACH, PH 90 DEG, M3 X 8	2
-	424 015 91	NUT, KEP, STEEL, M4	2				
ASSY	149 303 03	ENCLOSURE ASSEMBLY, PROSS, NO/DTCT, 3YPS	1	14	768 265 00	SIMM, FLASH, 8MBYTE, 120NS, 72PIN(SOUND MEMORY) *	
6	149 309 00	ENCLOSURE, PROCESSOR W/FAN	1	-	768 265 01	SIMM, FLASH, 16MBYTE, 120NS, 72PIN(SOUND MEMORY)*	
-	425 001 90	NUT, CONICAL WASHER, M4	3	-	768 265 02	SIMM, EXPAN, 4MBYTE, 120NS, 72PIN(SOUND MEMORY) *	
7	653 654 00	MOUNT, MOTHERBOARD	1	ASSY	149 302 03	ENCLOSURE ASSEMBLY, I/O BOARD, I-GAME	1
-	419 019 91	SCREW, SEMS, PH PAN, M4 X 8	2	15	149 299 00	ENCLOSURE, I/O BOARD	1
8	310 107 00	INSULATOR, MOTHERBOARD, UNIVERSAL, 960	1	-	754 278 0X	PCB, 960, MULTI I/O, IGAME	1
9	759 057 0X	PCB, MOTHERBOARD, 960, V2	1	-	688 942 00	COVER, I/O PCB, CLEAR	1
-	419 019 91	SCREW, SEMS, PH PAN, M4 X 8	2	-	419 510 97	SCREW, SEMS, PH PAN, 6-32 X 1/2	4
-	411 014 95	SCREW, MACHINE, PH PAN, M4 X 16	1				
-	674 493 00	SPACER, .172ID X .312OD X .28L	1	ASSY	149 302 03	ENCLOSURE ASSEMBLY, I/O BOARD, I-GAME	1
				16	149 299 00	ENCLOSURE, I/O BOARD	1
10	768 265 04	SIMM, CG, 4MBYTE, 120NS, 72 PIN (CG MEMORY)	*	-	754 278 0X	PCB, 960, MULTI I/O, IGAME	1
-	768 265 05	SIMM, CG, 8MBYTE, 120NS, 72 PIN (CG MEMORY)	*	-	688 942 00	COVER, I/O PCB, CLEAR	1
				-	419 510 97	SCREW, SEMS, PH PAN, 6-32 X 1/2	4
				17	581 013 00	GUIDE, I/O BOARD, DOOR, DOUBLE	1
				-	419 019 91	SCREW, SEMS, PH PAN, M4 X 8	2
				18	653 861 00	MOUNT, PROCESSOR BOX, 19 U/R, GK+	1
				-	424 015 91	NUT, KEP, STEEL, M4	4

* QUANTITY DEPENDENT ON SPECIFIC GAME REQUIREMENTS.