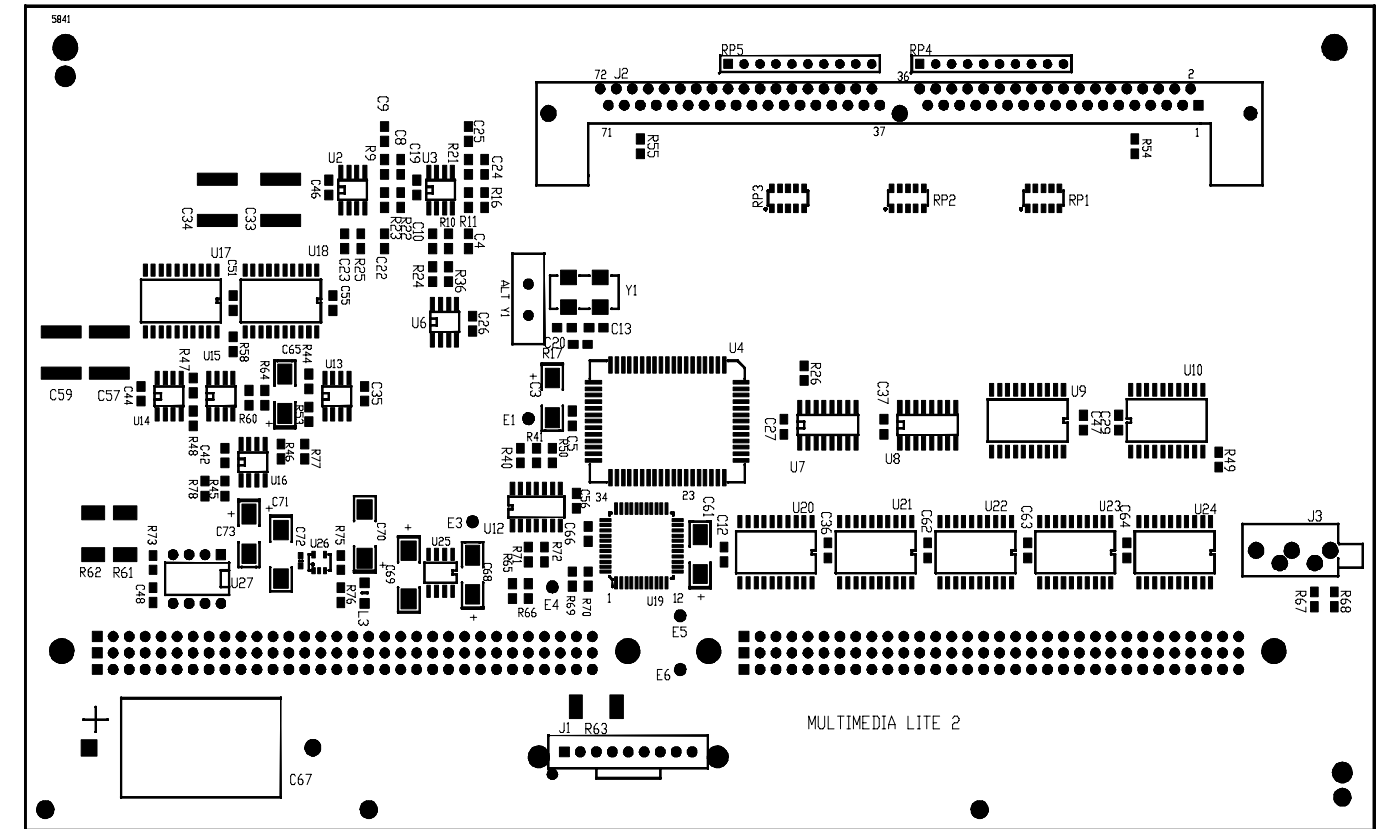
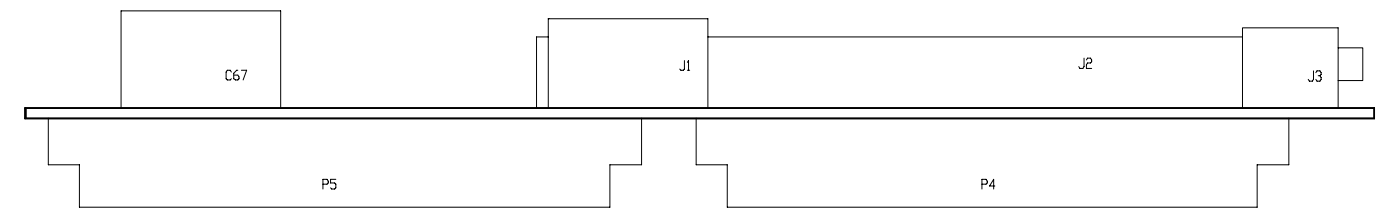


Component	Description	Part Number
REF SCHEMATIC	BOARD, MULTIMEDIA LITE 2, SIMMS VERSION, REV A	769 244 10
REF RAW	BOARD, MULTIMEDIA LITE 2, SIMMS VERSION, REV A	769 244 30
REF DRAWING	BOARD, MULTIMEDIA LITE 2, SIMMS VERSION, REV A	769 244 50
REF SUB ASSEMBLY/LIST	BOARD, MULTIMEDIA LITE 2, SIMMS VERSION, REV A	769 244 40
ALT Y1	XTAL,16.9344MHZ, 10PF, HC49S	230 149 91
C3,61,65,68,73	CAPACITOR, TANT, 10UF, 16V, 10%, 6032, T/R	154 039 91
C4,22	CAPACITOR, 1500PF, 10%, X7R, 0805	152 229 91
C5,12,19,26,27,29,35-37	CAPACITOR, CERAMIC, SMT, .1UF, 50V, 0805, T/R	152 134 91
C8,24	CAPACITOR, 2200PF, 10%, X7R, 0805	152 230 91
C9,25	CAPACITOR, 4700PF, 10%, X7R, 0805	152 231 91
C10,23	CAPACITOR, CERAMIC, 220PF, 5%, 50V, COG, 0805	152 227 91
C13,20	CAPACITOR, 10PF, 10%, 50V, COG, 0805	152 224 91
C33,34,57,59	CAPACITOR, 1UF, 10%, 50V, X7R, 2225, T/R	152 162 91
C42,44,46,47,51,55,56,62-64,66	CAPACITOR, CERAMIC, SMT, .1UF, 50V, 0805, T/R	152 134 91
C48	CAPACITOR, .047UF, 10%, 50V, X7R, 0805	152 163 91
C67	CAPACITOR, ELECTRO, AX, 1000MF, 35V	157 018 90
C69,70	CAPACITOR, TANT, 100UF, 16V, 7343H	154 196 90
C71	CAPACITOR, TANT, 15UF, 35V, LOW ESR, 7343	154 195 90
C72	CAPACITOR, CERAMIC, .01UF, 50V, 10%, X7R, 0603	152 151 91
J1	CONNECTOR, HDR, 9PIN, STR, SHR	211 403 90
J2	CONNECTOR, SIMM, 72 RA, TIN, C&R, POL	211 041 90
J3	JACK, 3.5MM, STEREO, RTA	219 719 90
L3	CORE, FERRITE BD, 1206, SMT	180 045 90
P4,5	CONNECTOR, DIN, 96PIN, HDR, VERT	215 005 90
R9,11,16,21,22,23,40,41,50,67,68,71,72	RESISTOR, TFC, 1K, 5%, .100W, 0805	474 227 91
R10,25,54,55,65,70	RESISTOR, TFC, 10K OHM, .100W, 5%, 0805	474 156 91
R17	RESISTOR, TFC, 1M OHM, .100W, 5%, 0805	474 155 91
R24,36,77,78	RESISTOR, TFC, 4.7K OHM, .100W, 5%, 0805	474 160 91
R26	RESISTOR, 470 OHM, 5%, .100W, 0805, SMT	474 180 91
R44,46,47,48,53,58,66	RESISTOR, TFC, 2.2K OHM, .100W, 5%, 0805	474 154 91
R45	RESISTOR, TFC, 1.5K, 5%, .10W, 0805	474 197 91
R49	RESISTOR, TFC, ZERO-OHM, JMPR, 0805	474 194 91
R61,62	RESISTOR, 0 OHM, JUMPER, 3AMP, SMT, 2512	474 271 91
R60,64	RESISTOR, 51.1K, 1%, .100W, 0805, SMT	474 283 91
R73	RESISTOR, TFC, 10 OHM, .100W, 5%, 0805	474 152 91
R75	RESISTOR, 41.2K, 1%, .100W, 0805, SMT	474 287 91
R76	RESISTOR, 4.64K, 1%, .1W, 0805	474 312 91
RP1,2,3	RESISTOR, NTRK, 10K-8, COMMONED	478 119 91
RP4,5	RESISTOR, NTRK, 10K-9, 10P, SIP	478 135 91
U2,3,13,14,15,16	IC, OPAMP, DUAL, LM358, SMT	320 652 91
U4	IC, 8 CH, ADPCM, DEC, YMZ280B	324 010 91
U6	DAC, AUDIO, TDA1311AT, SMT	329 046 91
U7,8	IC, 2 IN MUX 3-ST, 74HC257, SMT	320 526 91
U9,20,21	IC, OCTAL, TRANCVR, 74HC245, SMT	320 527 91
U10,22,23,24	IC, BUF/DRVR, OCTAL, 74HC244, SMT	320 649 91
U12	IC, HEX SCHMT, TRIG, 74HC14D, SOIC	320 428 90
U17,18	IC, AUD, ATTN., LM1973, SMT	324 012 91
U19	CPLD, 9536, PRGMED MML2	328 055 02
U25	REG +5V, .1A, LODROP, LM2931, SOIC	488 052 91
U26	REG, LT1761, +ADJ, SOT23-5	488 064 91
U27	IC, LM386, PWR AMP, AUD, 1/8W, DIP8	324 019 90
Y1	XTAL, 16.9344 MHZ, SMT	239 011 91



PRIMARY SIDE



SIDE VIEW