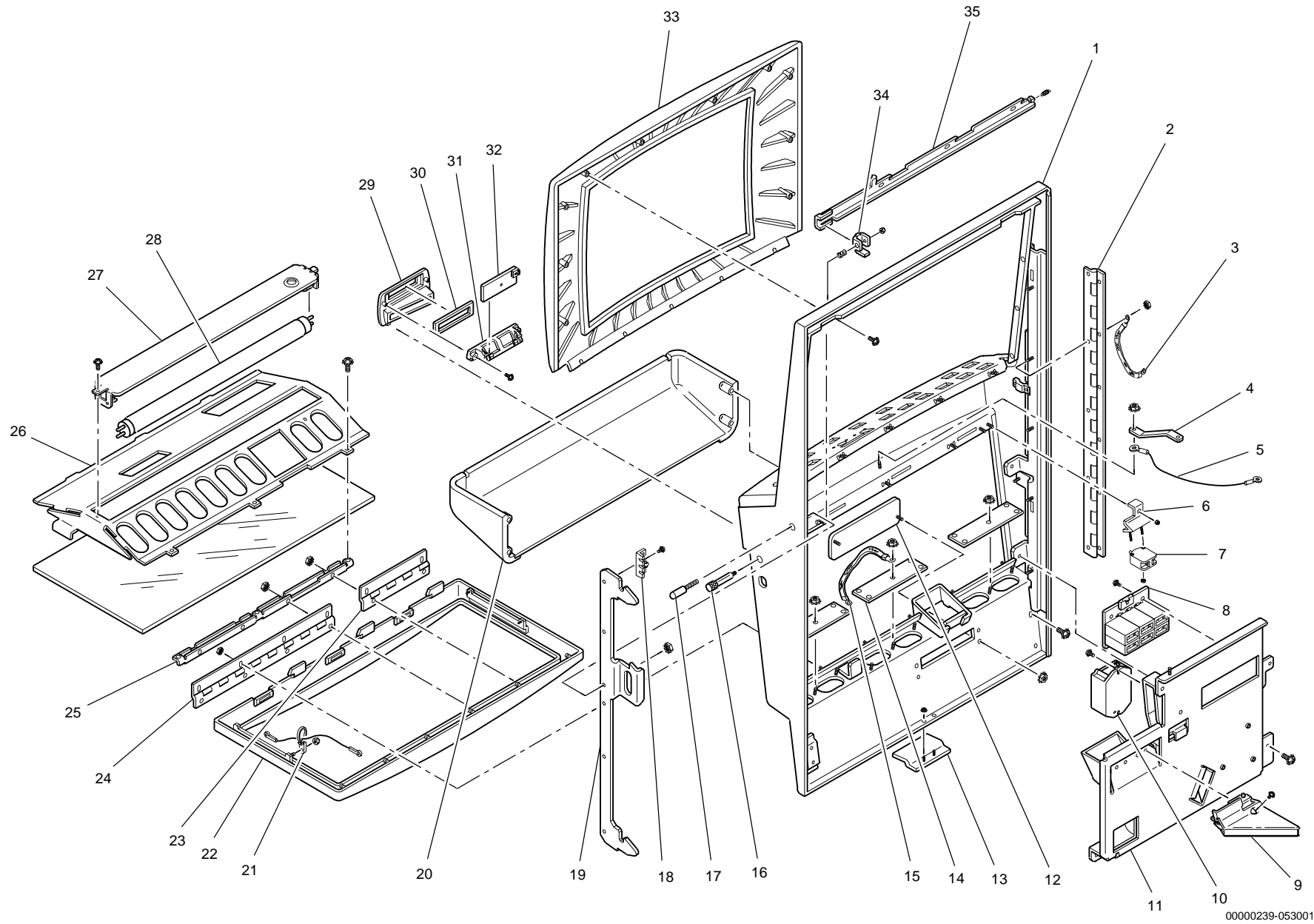


MACHINE DOOR



00000239-053001

MACHINE DOOR

Fig. No.	Part. No.	Description	Qty.	Fig. No.	Part. No.	Description	Qty.
1	712 540 0X	DOOR, MAIN, GK+, 19, U/R	1	18	653 099 00	MOUNT, DOOR OPEN OPTICS	1
2	280 096 00	HINGE, MAIN DOOR, SS+	1	-	575 069 00	ENCODER, DOOR OPEN EMITTER	1
-	424 015 91	NUT, KEP STEEL, M4 (HINGE TO DOOR/CABINET)	12	-	419 018 90	SCREW, SEMS, PH PAN, M3 X 6	2
3	619 059 03	CABLE, GND., 5/16 BRAID, 3.0	1	-	430 028 90	WASHER, FLAT, STEEL, M3	2
4	626 330 00	BRACKET, SPRT, DRP PNL, 19 U/R, GK+	1	19	639 117 00	BAR, STRIKER, MAIN DR, 19 U/R, GK+	1
-	424 015 91	NUT, KEP, STEEL, M4	2	-	411 018 91	SCREW, MACHINE, FH, 90 DEG, M5 X 8	5
5	290 006 00	CABLE, W/MTG LUGS, 15.75 L	1	KIT	918 057 04	KIT, COIN TRAY, CHROME, 19 GK+	1
-	419 019 91	SCREW, SEMS, PH PAN, M4 X 8	1	20	597 109 00	TRAY, COIN, BRUSHED, W/B, M+S	1
-	430 028 91	WASHER, GLT, STEEL, M4	2	-	659 104 0X	END CAP, CHROME, R.H./L.H.	1
KIT	918 882 00	KIT, BELLY DR, DTCT SW, 19 U/R, GK+	1	-	421 006 98	NUT, LOCK, ESNA, 8-32	4
6	653 782 00	MOUNT, SWITCH, BELLY DR DET	1	-	419 520 91	SCREW, SEMS, PH PAN, 8-32 X 3/8	4
-	424 015 91	NUT, KEP, STEEL, M4	1	21	290 001 03	CABLE, W/MTG LUGS, 13.75 L,	2
7	519 089 90	SWITCH, MOM PB, .250 Q-DIS	1	-	421 017 90	NUT, LOCK, ESNA, REGULAR, M3	4
-	424 015 90	NUT, KEP, STEEL, M3	2	22	712 295 0X	DOOR, BELLY, 19 U/R, GK+	1
8	754 256 0X	PCB, METER BOARD ASSEMBLY, 3-6 METERS	1	23	280 110 00	HINGE, SMALL, 19 U/R, GK+, BELLY DR	1
-	419 019 91	SCREW, SEMS, PH PAN, M4 X 8	2	-	424 015 91	NUT, KEP, STEEL, M4	2
-	292 093 90	COUNTER, 24VDC, 6 DIGIT TOTAL	3-6	24	280 110 01	HINGE, LARGE, 19 U/R, GK+, BELLY DR	1
-	419 018 90	SCREW, SEMS, PH PAN, M3 X 6	3-6	-	424 015 91	NUT, KEP, STEEL, M4	4
-	850 566 0X	LABEL, METERS	1	25	626 305 00	BRACKET, ALIGN, GLASS, BELLY DOOR, 19 U/R	1
-	918 010 0X	KIT, LABELS, METER, 4-6 INTERNAL/EXTERNAL	1	-	424 015 91	NUT, KEP, STEEL, M4	6
9	573 392 00	CHUTE, COIN IN, 19 U/R, GK+	1	26	685 576 00	PANEL, BELLY DR/GLASS CLMP, 19 U/R, GK+	1
-	419 018 90	SCREW, SEMS, PH PAN, M3 X 6	1	-	419 019 91	SCREW, SEMS, PH PAN, M4 X 8	3
10	195 073 00	BALLAST, DC, DIMMING, 15 W	1	27	685 776 00	PANEL ASSY, LWR FLO, 19 U/R, GK+	1
-	419 019 91	SCREW, SEMS, PH PAN, M4 X 8	2	-	419 019 91	SCREW, SEMS, PH PAN, M4 X 8	1
11	685 778 00	PANEL ASY, REJ/DRP, 19 U/R, GK+	1	28	194 004 90	LAMP, 18 IN. FLO, 15 W, F15T8/CW	1
-	419 019 91	SCREW, SEMS, PH PAN, M4 X 8	3	29	652 242 00	BEZEL, ENTRY, B/A, 19, U/R, GK+	1
12	589 908 00	PLATE, BLANK, TICKET, CHROME, 19" GK	1	-	419 018 92	SCREW, SEMS, PH PAN, M3 X 10	2
12	589 908 04	PLATE, BLANK, TICKET, T-GOLD, 19" GK	1	30	890 032 XX	PLAQUE, BILL ACCEPTOR	1
-	424 006 98	NUT, KEP, STEEL, 8-32	2	31	196 424 00	BARRIER, B/A LIGHT, 19 U/R, GK+	1
-	652 187 00	BEZEL, TICKET OUT, UNIVERSAL (NOT SHOWN)	1	32	751 325 0X	PCB, B/A ENTRY, 13V, LED, SMT	1
-	413 013 90	SCREW, MACH SOCKET, BUTTON, M4 X 10	4	33	652 290 0X	MASK, MONITOR, ASSY, 19 GK+	1
-	424 015 91	NUT, KEP, STEEL, M4	4	-	419 605 90	SCREW, PT, M4 X 10 L, PH PAN	10
13	626 332 00	BRACKET, COIN TRAY SUPPORT, GK+	1	-	425 001 90	NUT, CONICAL WASHER, M4	5
-	424 015 91	NUT, KEP, STEEL, M4	2	34	589 962 00	PLATE, LCK, B-DOOR, 19 U/R, GK+	1
14	688 920 00	COVER, LIGHT, MAIN DR, 19 U/R, GK+	3	-	331 119 90	SPRING, COMP., .360 OD X .026 W X .50 L	1
-	424 015 91	NUT, KEP, STEEL, M4	9	-	421 017 91	NUT, LOCK, ESNA, REGULAR, M4	1
15	619 059 03	CABLE, GND, .5/16 BRAID, 3.0	1	35	639 119 00	BAR, LOCK, BELLY DR, 19 UR, GK+	1
-	424 015 91	NUT, KEP, STEEL	2	-	330 118 90	SPRING, EXT, .24 OD X .75 L X .026 W	1
16	449 099 00	PIN, RELEASE, BELLY DOOR, IBA S+	1	-	421 017 91	NUT, LOCK, ESNA, REGULAR, M4	1
17	449 108 00	PIN, DOOR PULL, UNIV	1	-	674 451 00	SPACER, .210 D X .158 ID X .10 LG	3
-	665 007 01	ROLLER, .26 ID X .38 OD X .25 L	1	-	430 029 91	WASHER, FENDER, FLAT, STEEL, M4	3
-	424 015 93	NUT, KEP, STEEL, M6	1	-	421 017 91	NUT, LOCK, ESNA, REGULAR, M4	3