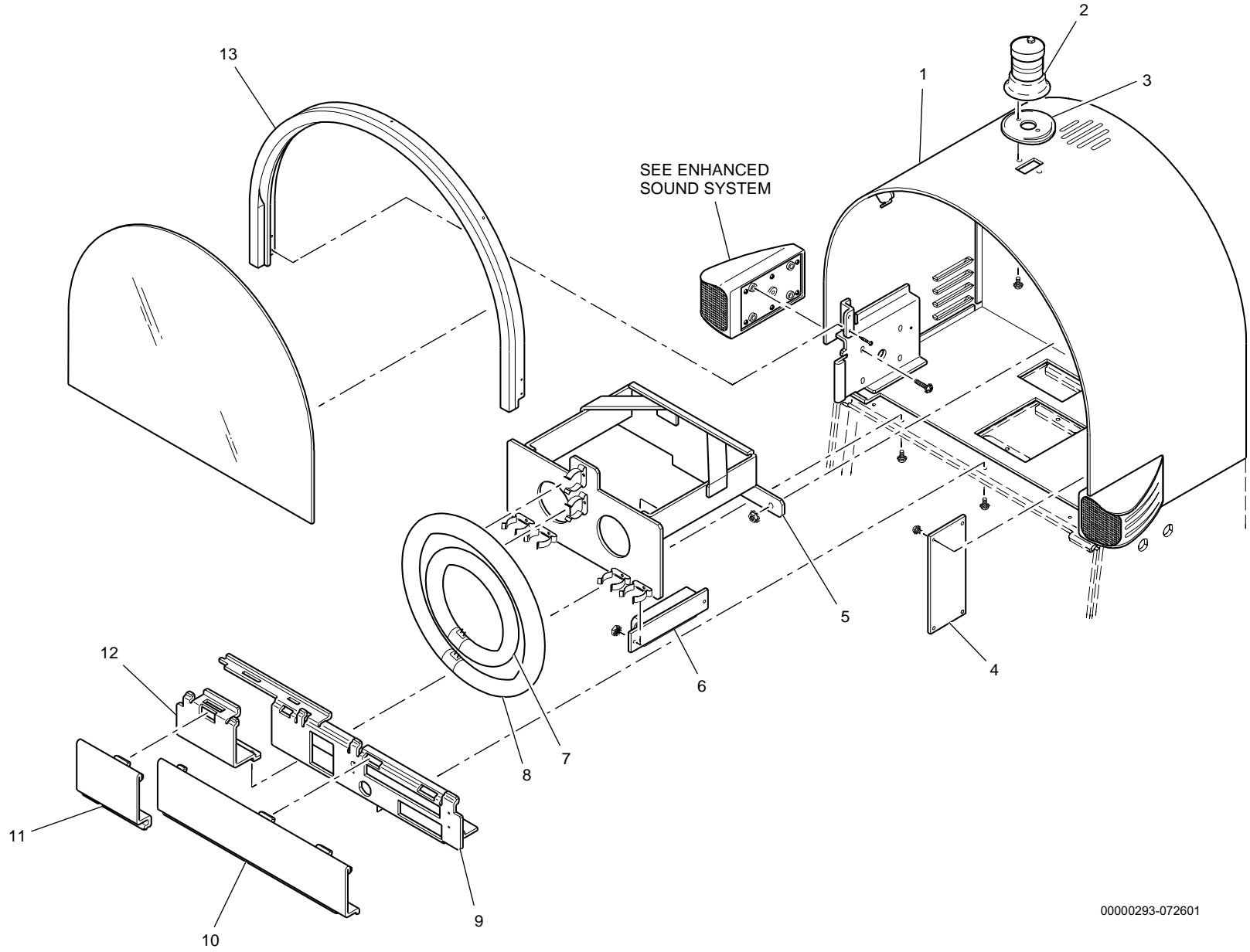


ROUND TOP BOX



00000293-072601

ROUND TOP BOX

Fig. No.	Part. No.	Description	Qty.	Fig. No.	Part. No.	Description	Qty.
1	145 297 XX	ENCLOSURE, ROUND TOP BOX, 18 INCH, GK+	1	6	195 078 00	BALLAST, 25VDC, 22-40W	2
2	191 347 90	CANDLE, 2", RED/WHT, 12V, CRM	1	-	210 096 02	HARNES, ASSY PLUG FLUOR, PIR	2
-	190 044 90	LAMP, 80960, CANDLE	1	-	424 015 91	NUT, KEP, STEEL, M4	4
-	411 007 96	SCREW, MACH, PH PAN, 8-32 X 3/4	2	7	194 035 90	FLOURESCENT, ROUND, 8"	1
3	674 488 00	SPACER, CANDLE, MOUNT, ROUND TOP	1	8	194 033 90	FLOURESCENT, ROUND, 12"	1
4	758 032 0X	PCB, TOP BOX POWER DISTRIBUTION, V2	1	9	626 312 00	BRACKET, MOUNT, EZP, PT95A+, 19 GK+ U/R	1
-	419 018 90	SCREW, SEMS, PH PAN, M3 X 6	5	-	419 019 92	SCREW, SEMS, PH PAN, M4 X 10	3
KIT	918 740 00	KIT, FLUORESCENT, DUAL RND, GK+ UR	1	10	596 164 0X	PLATE, BLANK, PT95A+, 19 GK+ U/R	1
5	199 215 00	ASSEMBLY, LIGHT, DBL, RND, DC, 19 U/R, GK+	1	11	596 162 0X	PLATE, BLANK, EZP, 19 GK+ U/R	1
-	636 310 00	BRACKET, LIGHT ASSY, DBL RND, 19 GK+	1	12	626 333 00	BRACKET, BLANK PLATE, EZP, 19 U/R GK+	1
-	446 104 90	CLIP, SPRING, 16" OD RND FLUOR	6	-	419 019 91	SCREW, SEMS, PH PAN, M4 X 8	2
				13	500 540 00	BOX, FACE, 18" ROUND TOP, 19 UR, GK+	1