

JCM World Bill Acceptor

WBA Features

- Bill jams can be easily cleared on the floor
- Simple calibration of magnetic and optical sensor circuits
- Maintains greater currency acceptance flexibility as new series bills are released
- No potentiometer adjustments required
- Easy access for PROM replacement – no tools or adjustments are necessary

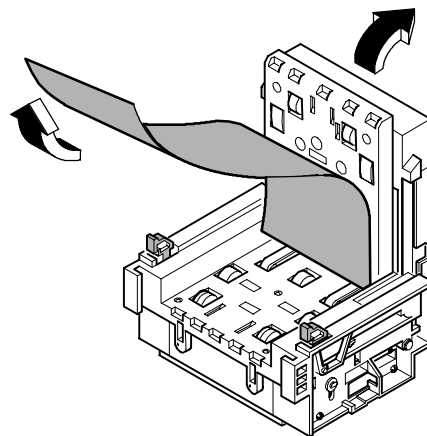
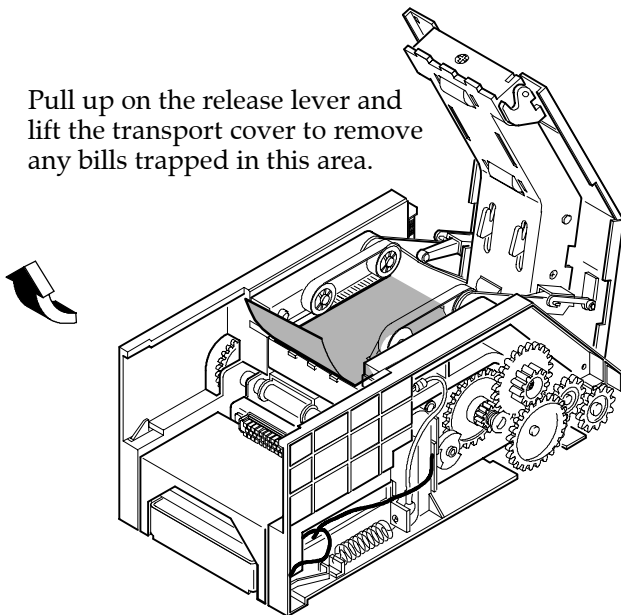
Clearing Jammed Bills

Pull lever located at the front, bottom area of the sensor/transport assembly away from chassis. Slide the entire unit out of the chassis.

TRANSPORT COVER
RELEASE LEVER

TRANSPORT ASSEMBLY
RELEASE LEVER

Pull up on the release lever and lift the transport cover to remove any bills trapped in this area.



Pull up on the levers located on each side of the sensor assembly, lift the top of the sensor assembly and remove any bills trapped in this area.

WBA Spare Parts List

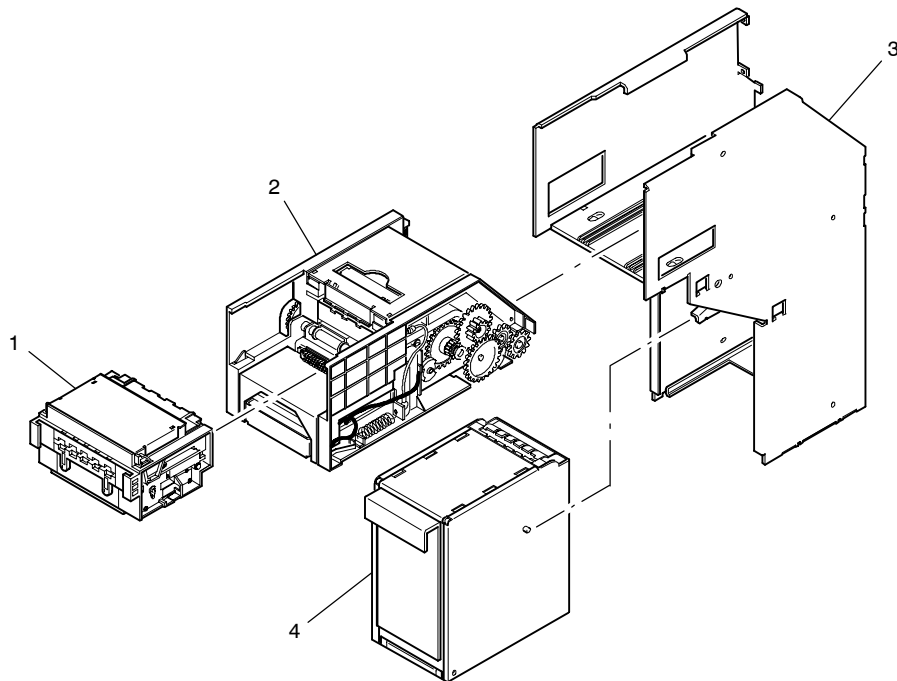


Fig. No.	Part Number	Description	Qty.
KIT	917 012 05	KIT, BILL ACCEPTOR, WBA-12	1
KIT	917 012 06	KIT, BILL ACCEPTOR, WBA-13	1
1	625 318 90	SENSOR ASSEMBLY, WBA (VALIDATOR HEAD)	1
2	625 392 90	TRANSPORT ASSEMBLY, WBA-12/22	1
2	625 374 90	TRANSPORT ASSEMBLY, WBA-13/23	1
3	REF	CHASSIS ASSEMBLY, WBA	1
4	500 382 00	CASHBOX, WBA, WITH HANDLE	1
-	408 108 90	POWER SUPPLY, UNIVERSAL, 13V, 1.5A, (S-PLUS/PE-PLUS)	1
KIT	917 031 00	SERVICE PARTS KIT, DOWNLOAD VERSION, WBA	1
KIT	917 031 01	SERVICE PARTS KIT, EPROM VERSION, WBA	1
-	581 408 00	GUIDE-B/A ENTRY, S+, ESD	1
-	352 020 90	DRIVE BELT, SENSOR ASSEMBLY	2
-	352 021 90	DRIVE BELT, CASH BOX ASSEMBLY,	2
-	352 022 90	DRIVE BELT, TRANSPORT ASSEMBLY, OUTER	2
-	352 023 90	DRIVE BELT, TRANSPORT ASSEMBLY, INNER	1
-	358 033 90	MOTOR ASSEMBLY, STACKER	1
-	659 008 90	GEAR, TRANSPORT/STACKER	1
-	358 034 90	MOTOR ASSEMBLY, TRANSPORT	1
-	408 089 90	POWER SUPPLY/INTERFACE ASSEMBLY, PC TO WBA CALIBRATOR	1
-	459 021 90	SOLENOID ASSEMBLY, TRANSPORT LEVER	1
-	549 067 90	CALIBRATION PAPER, JCM, WBA	1
-	600 277 90	HARNESS ASSEMBLY, WBA AUTO-CALIBRATE	1
-	769 209 90	BOARD ASSEMBLY, SENSOR ASSEMBLY, LOWER	1
-	769 210 90	BOARD ASSEMBLY, SENSOR ASSEMBLY, UPPER,	1
-	769 249 90	BOARD ASSEMBLY, CPU, FLASH, WBA-12/22	1
-	769 226 90	BOARD ASSEMBLY, CPU, WBA-13, 4MBIT, 2 SER PORT	1
-	769 213 90	BOARD ASSEMBLY, TRANSPORT COVER SENSOR	1
-	769 214 90	BOARD ASSEMBLY, TRANSPORT LEVER SENSOR	1
-	769 215 90	BOARD ASSEMBLY, CASH BOX SENSOR	1
-	769 216 90	BOARD ASSEMBLY, FEED OUT SENSOR	1
-	769 217 90	BOARD ASSEMBLY, STACKER MOTOR	1
-	607 602 90	HARNESS, CHASSIS-MOUNTED (WBA-12 and WBA-13)	1
-	607 603 90	HARNESS, TRANSPORT-MOUNTED (WBA-12 and WBA-13)	1