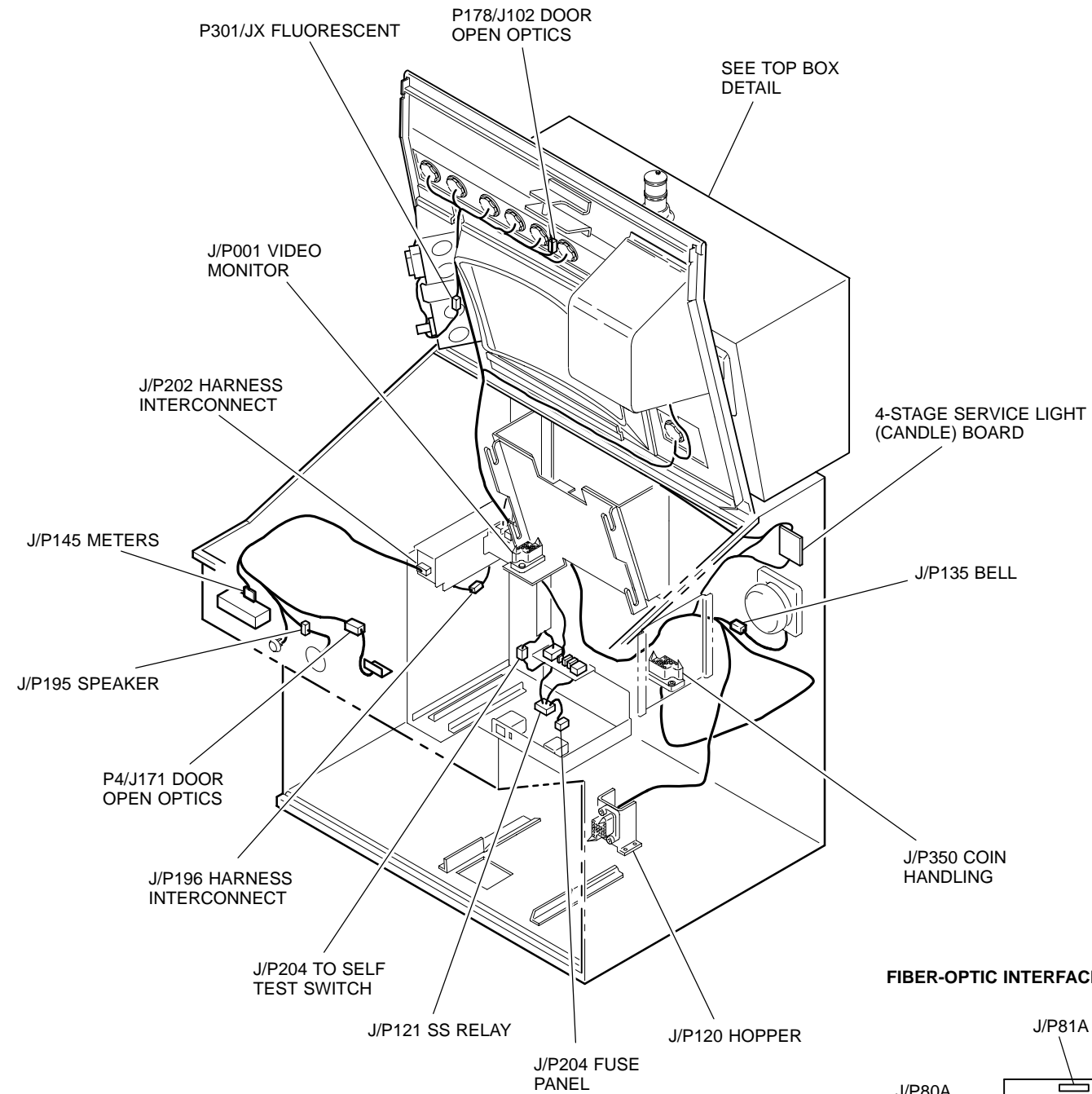
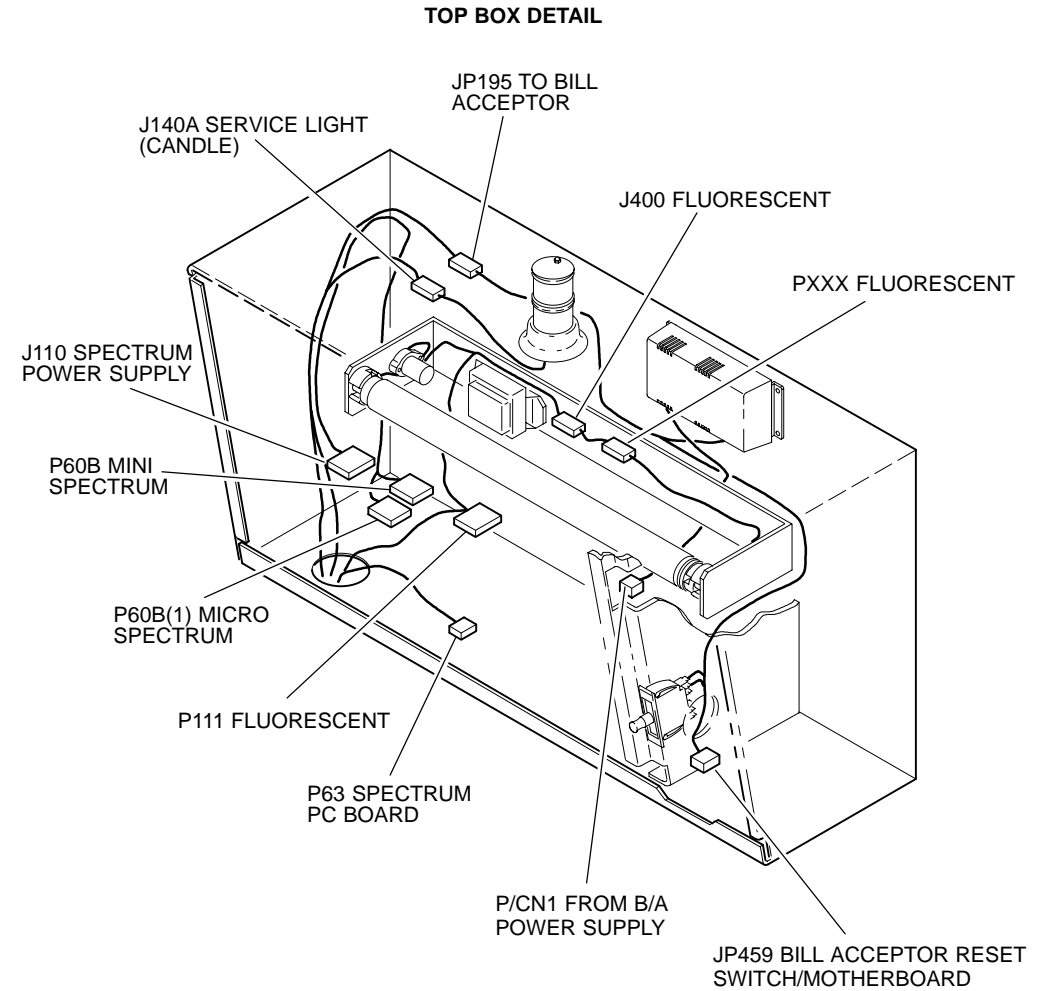
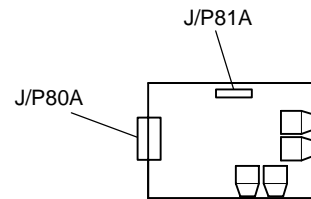


CONNECTOR OVERVIEW

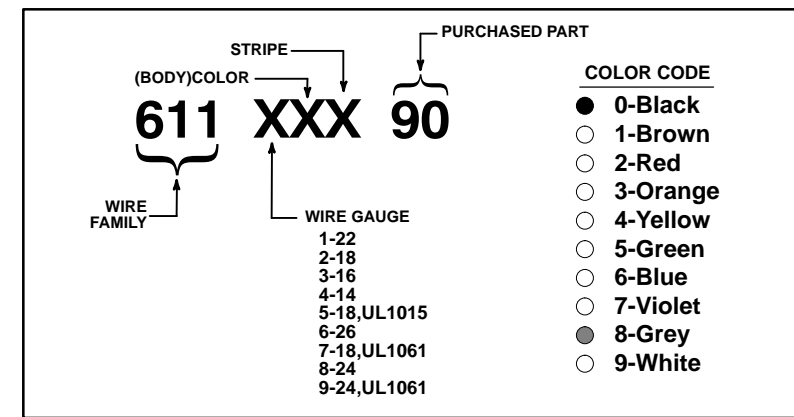
Machine Enclosure Connectors



FIBER-OPTIC INTERFACE BOARD



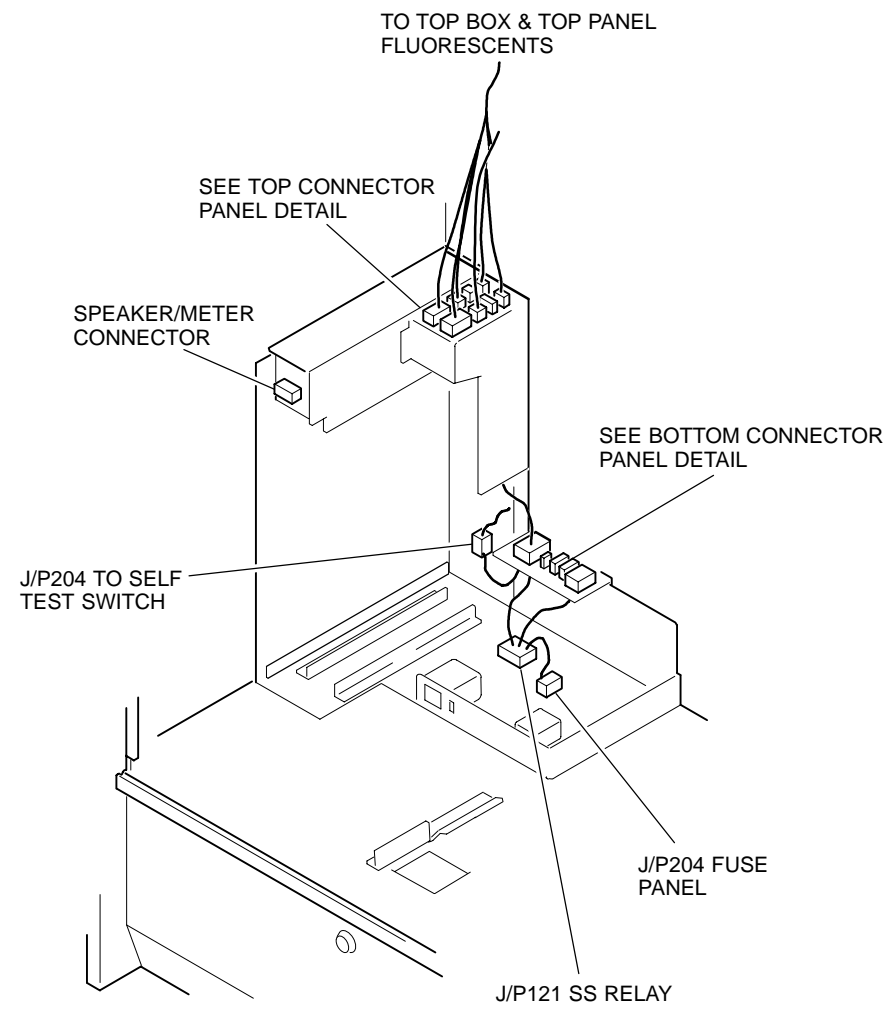
WIRING IDENTIFICATION CHART



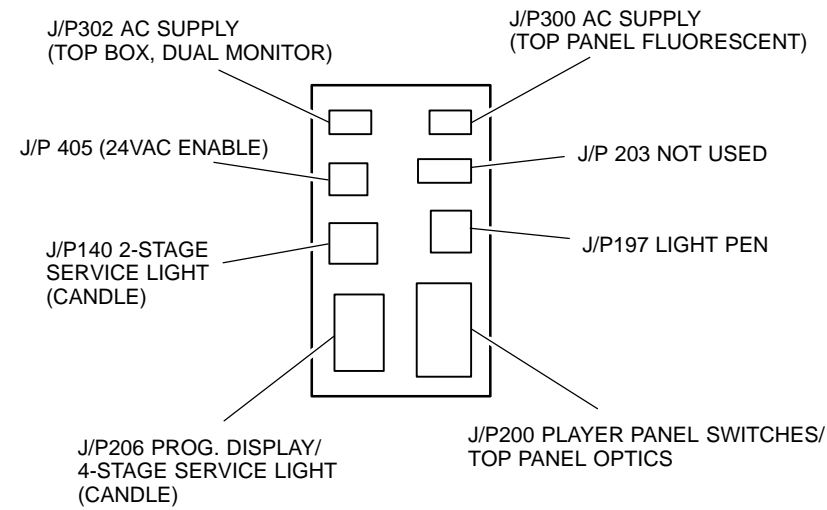
1276-1A

CONNECTOR OVERVIEW

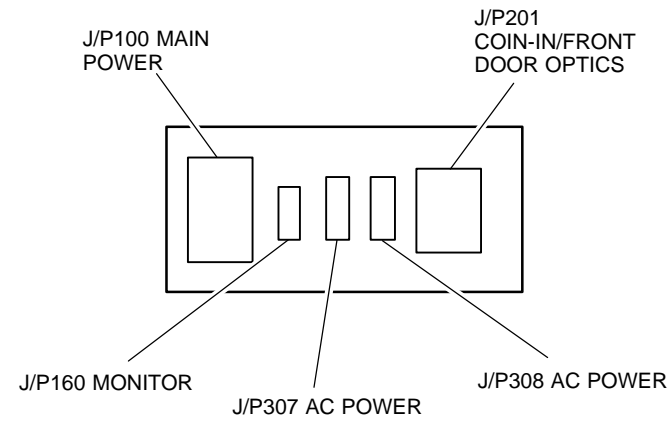
LOWER MODULE CONNECTORS



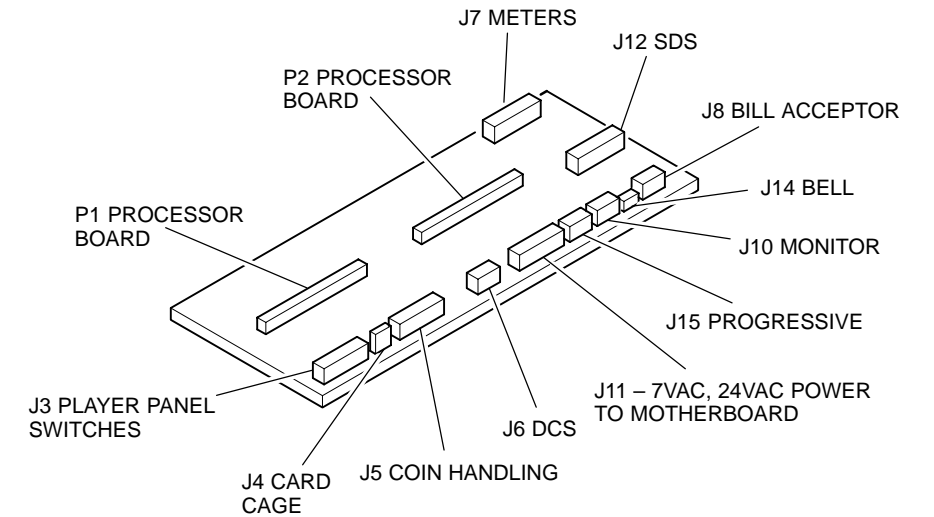
TOP CONNECTOR PANEL DETAIL



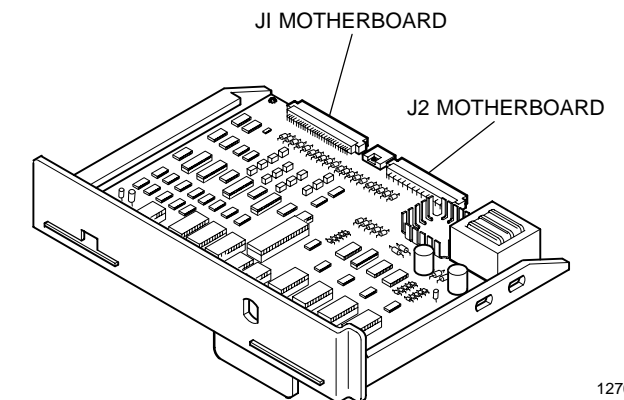
BOTTOM CONNECTOR PANEL



MOTHERBOARD CONNECTORS



PROCESSOR TRAY CONNECTORS



1276-2A