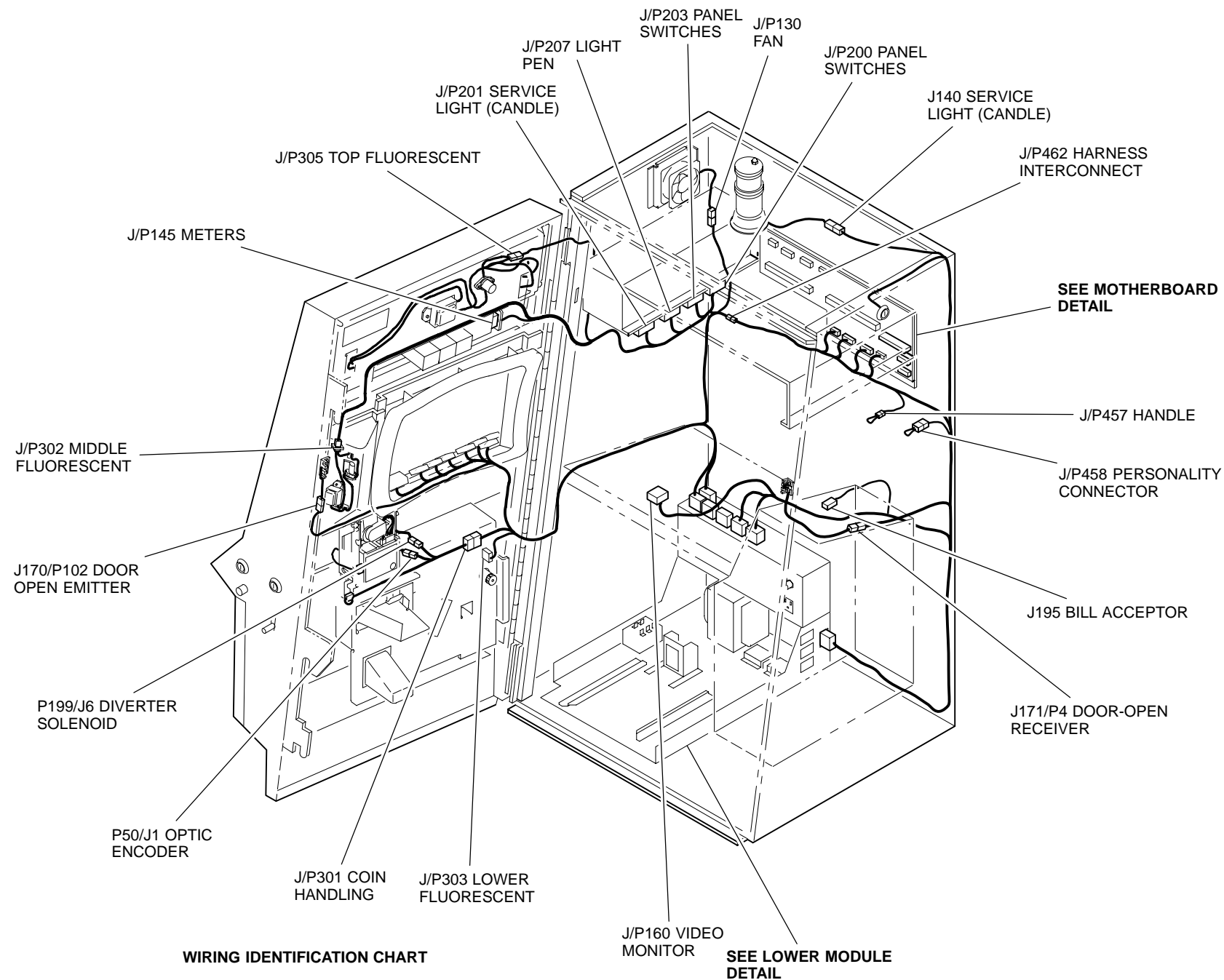
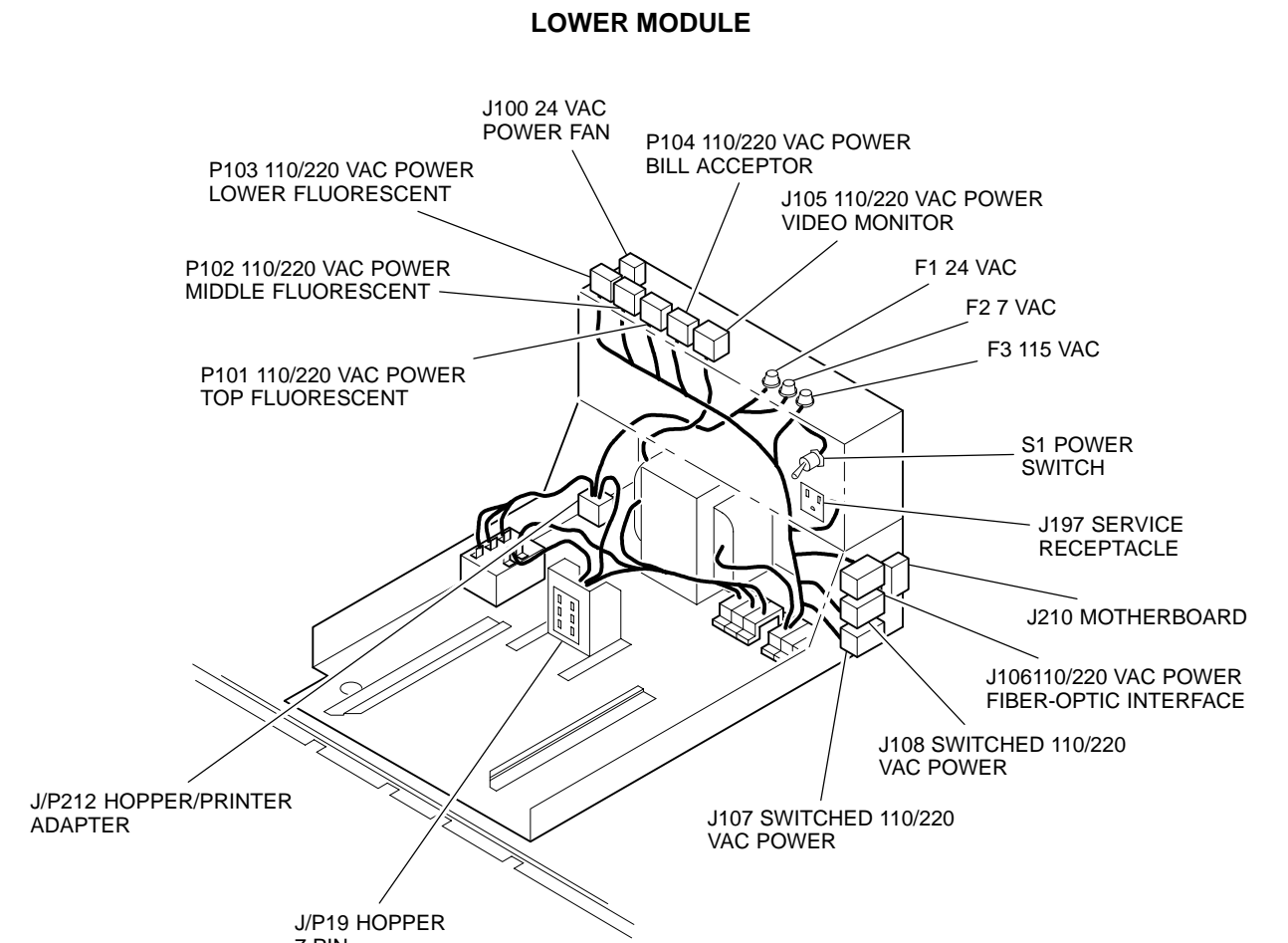
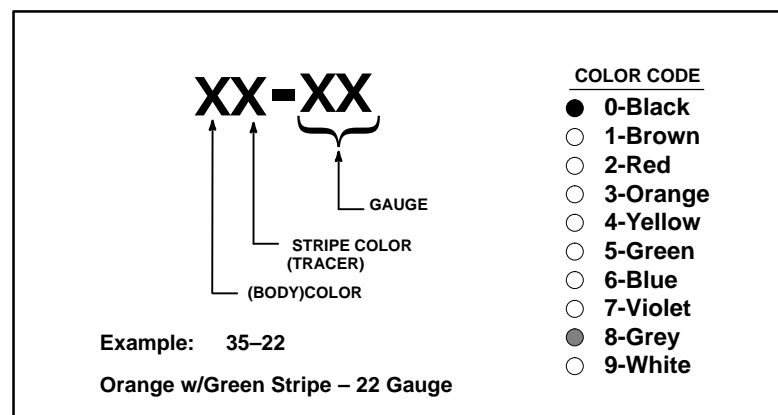


# CONNECTOR OVERVIEW

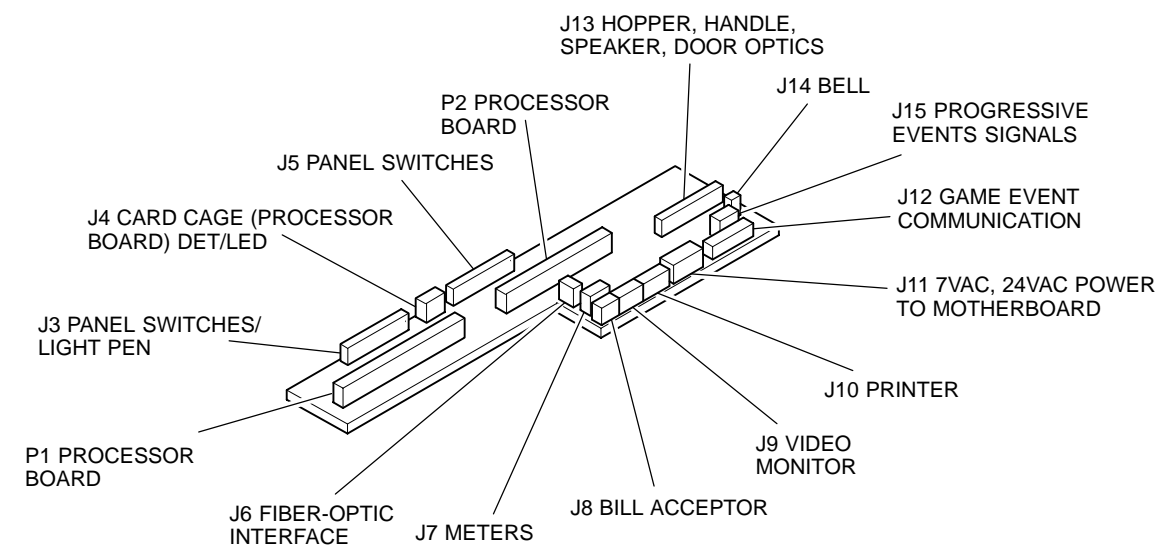


WIRING IDENTIFICATION CHART



LOWER MODULE

MOTHERBOARD



P0798E-1V