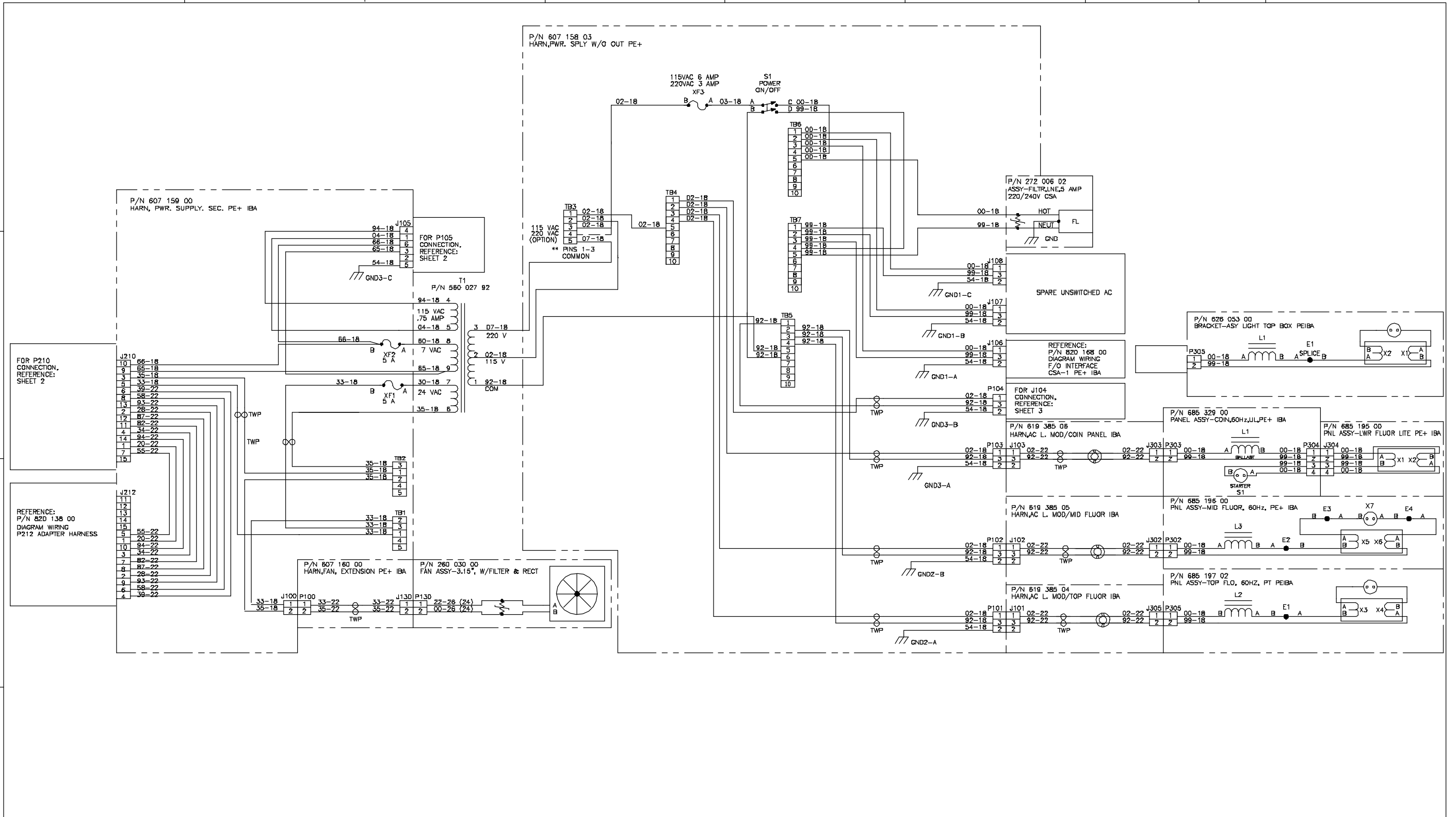


D

C

B

A



| STRIPE COLOR | PURCHASED PART | COLOR CODE |
|--------------|----------------|------------|
| 611 | 90 | 0-BLACK |
| | | 1-BROWN |
| | | 2-RED |
| | | 3-ORANGE |
| | | 4-YELLOW |
| | | 5-GREEN |
| | | 6-BLUE |
| | | 7-VIOLET |
| | | 8-GREY |
| | | 9-WHITE |

ALL DESIGN, OPERATIVE AND PROCESS DATA PERTAINING TO THE ARTICLE SHOWN ON THIS SHEET IS THE PROPERTY OF INTERNATIONAL GAME TECHNOLOGY, RENO, NEVADA. THIS INFORMATION IS DISCLOSED IN CONFIDENCE AND IS NOT TO BE COPIED, REPRODUCED, REVEALED TO OR APPROPRIATED BY OTHERS, IN PART OR IN WHOLE, WITHOUT THE EXPRESS CONSENT OF IGT. THIS PRINT IS LOANED AND RECIPIENT AGREES TO RETURN IT TO THE INTEREST OF IGT, AND MUST BE RETURNED ON DEMAND.

International Game Technology
 1995 Prototype Hwy Reno, NV 89511-8986 Phone 702-440-7777

| | | |
|-------------|------------|-----------|
| DWG. NO. | DWG. NO. | REV. LTR. |
| 820 166 00 | 820 166 00 | L |
| APPROV. | DATE | SCALE |
| JAD | 08 JULY 97 | NONE |
| CHECKED | DATE | SHT |
| R.B. PRINCE | 15 JULY 97 | 4 OF 5 |

